

ONIX®

Mosaic Finishing Pieces

Step & Cove

Step



Step 50150 Seda Antislip
2004923 | 830



*Step 50250 Seda Antislip
2004919 | 830



Step 50254 Seda Antislip
2004921 | 830



Step Bali Stone Matte
2005170 | 840



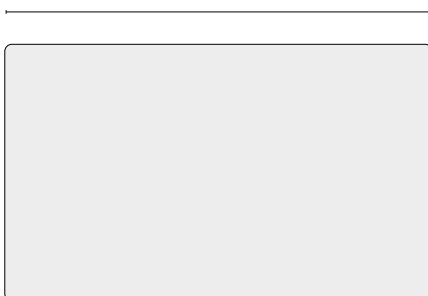
Step 50153 Seda Antislip
2004890 | 830



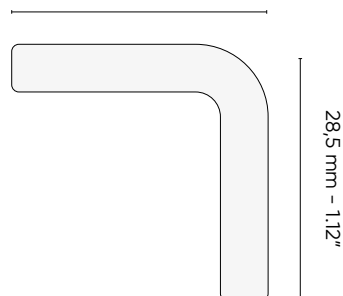
Step Luminis White Seda Antislip
2004911 | 630



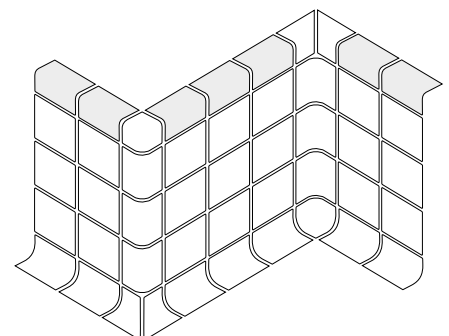
50 mm - 2"



28,5 mm - 1.12"



28,5 mm - 1.12"



Cove



Cove 50150 Seda Antislip
2004924 | 830



Cove 50250 Seda Antislip
2004920 | 830



Cove 50254 Seda Antislip
2004922 | 830



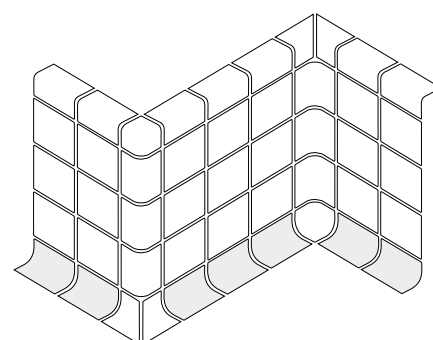
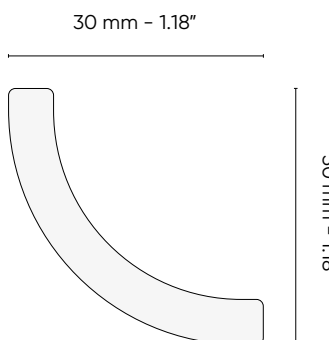
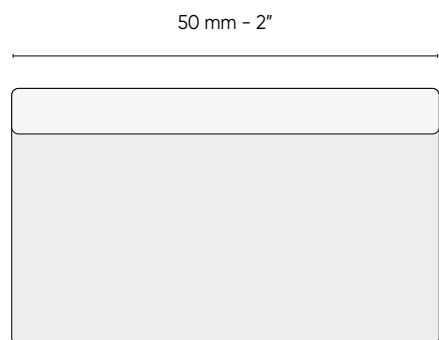
Cove Bali Stone Matte
2005323 | 840



Cove 50153 Seda Antislip
2004925 | 830



Cove Luminis White Seda Antislip
2004926 | 630





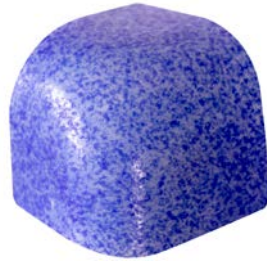
Special Pieces

SP1

These pieces are sold by unit



SP1 50150 Seda Antislip
2005106 | 155



SP1 50250 Seda Antislip
2005117 | 155



SP1 50254 Seda Antislip
2005123 | 155



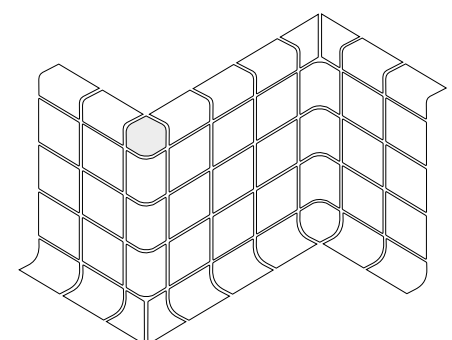
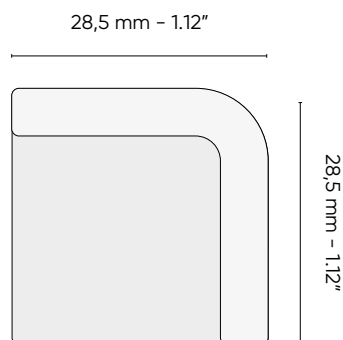
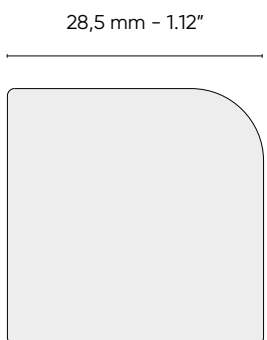
SP1 Bali Stone Matte
2005324 | 450



SP1 50153 Seda Antislip
2005107 | 155



SP1 Luminis White Seda Antislip
2005139 | 160

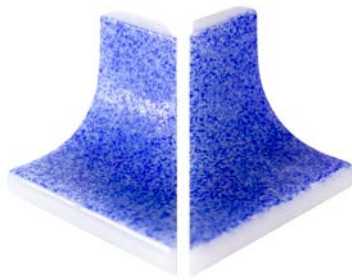


SP2

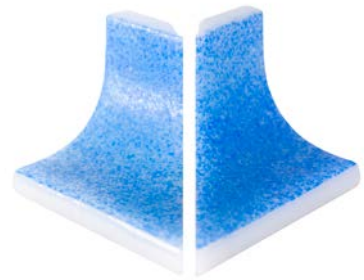
These pieces are sold by unit



SP2 50150 Seda Antislip
2005134 | 155



SP2 50250 Seda Antislip
2005119 | 155



SP2 50254 Seda Antislip
2005131 | 155



SP2 Bali Stone Matte
2005325 | 450



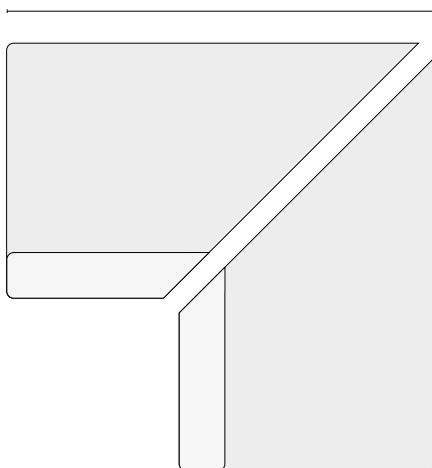
SP2 50153 Seda Antislip
2005137 | 155



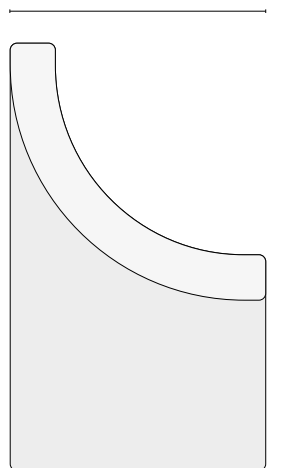
SP2 Luminis White Seda Antislip
2005140 | 160



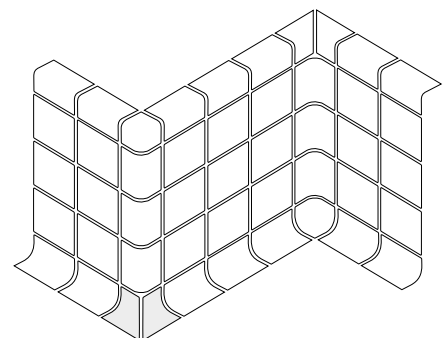
50 mm - 2"



30 mm - 1.18"



50 mm - 2"

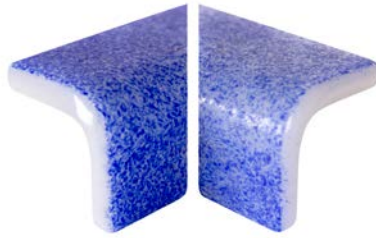


SP3

These pieces are sold by unit



SP3 50150 Seda Antislip
2005135 | 155



SP3 50250 Seda Antislip
2005120 | 155



SP3 50254 Seda Antislip
2005125 | 155



SP3 Bali Stone Matte
2005326 | 450



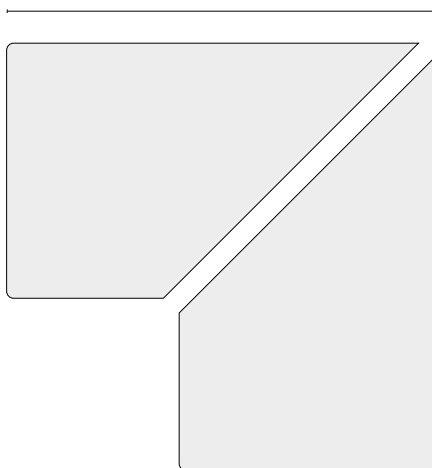
SP3 50153 Seda Antislip
2005108 | 155



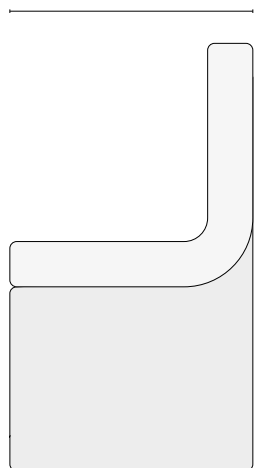
SP3 Luminis White Seda Antislip
2005141 | 160



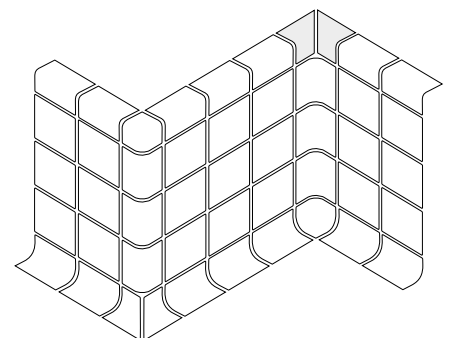
50 mm - 2"



28,5 mm - 1.12"



50 mm - 2"



SP4

These pieces are sold by unit



SP4 50150 Seda Antislip
2005109 | 155



SP4 50250 Seda Antislip
2005111 | 155



SP4 50254 Seda Antislip
2005124 | 155



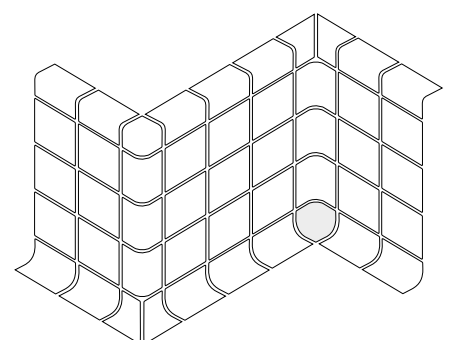
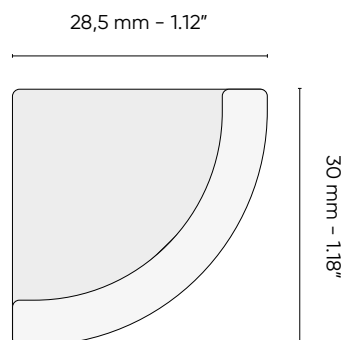
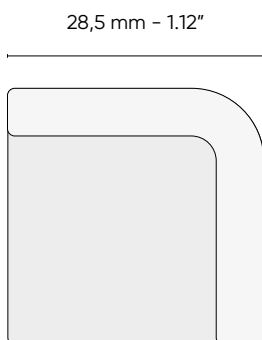
SP4 Bali Stone Matte
2005327 | 450



SP4 50153 Seda Antislip
2005110 | 155



SP4 Luminis White Seda Antislip
2005142 | 160



SP5

These pieces are sold by unit



SP5 50150 Seda Antislip
2005136 | 155



SP5 50250 Seda Antislip
2005114 | 155



SP5 50254 Seda Antislip
2005133 | 155



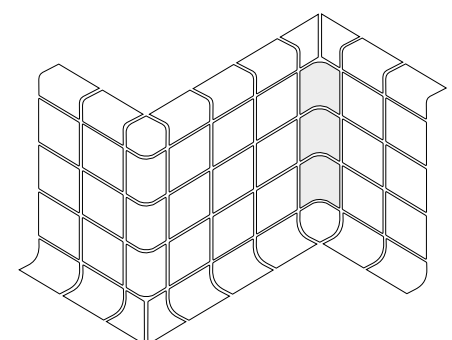
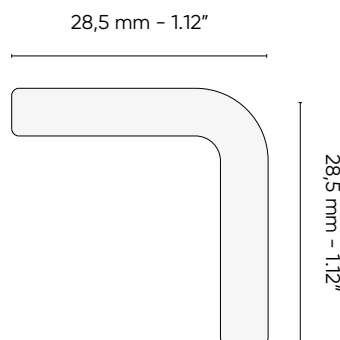
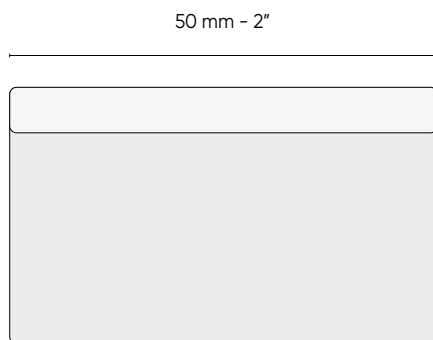
SP5 Bali Stone Matte
2005328 | 450



SP5 50153 Seda Antislip
2005138 | 155



SP5 Luminis White Seda Antislip
2005143 | 160





Packing List

P8 Step

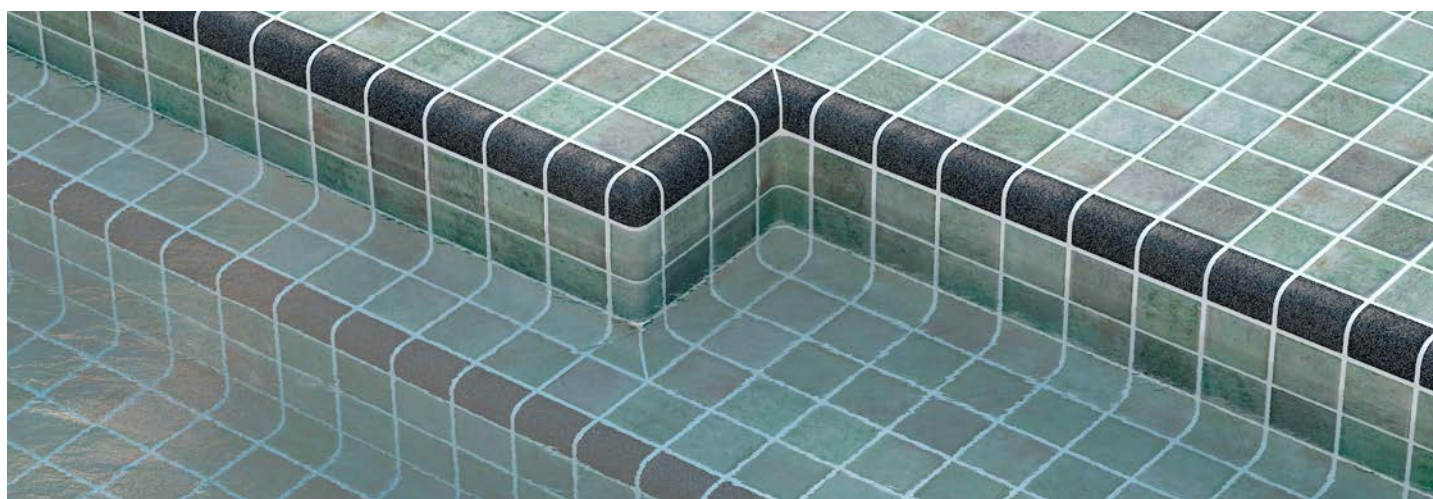
Sheet Hoja	5,5 mm - 0.216" Thickness	50x28,5x28,5 mm - 2"x1,12"x1,12"	
Box Caja	96 Sheets	5 m - 16.40 ft	3,1 kg - 6.83 lb
Pallet Palet	180 Boxes	900 m - 2952.76 ft	561,7 kg - 1238.33 lb
Euro Pallet Euro Palet	200 Boxes	1000 m - 3280.84 ft	634,8 kg - 1399.49 lb

P8 Cove

Sheet Hoja	5,5 mm - 0.216" Thickness	50x30x30 mm - 2"x1,18"x1,18"	
Box Caja	96 Sheets	5 m - 16.40 ft	3,1 kg - 6.83 lb
Pallet Palet	180 Boxes	900 m - 2952.76 ft	561,7 kg - 1238.33 lb
Euro Pallet Euro Palet	200 Boxes	1000 m - 3280.84 ft	634,8 kg - 1399.49 lb

Special Pieces

SP1, SP2, SP3, SP4, SP5 are sold by Unit.



ONIX

ONIX

ONIX CERÁMICA, S.L.
AV. Real de Extremadura 23
12200 Onda (Castellón – SPAIN)
T. +34 964 776 287
F. +34 964 776 284
M. onix@onixmosaic.com

ONIX USA

ONIX USA, LLC
9450 NW 12 Street
33172 Miami (USA)
P. 305 599 3153
F. 305 513 4634
M. onix.usa@onixmosaic.com



www.instagram.com/onixmosaic



www.facebook.com/ONIXmosaic



www.pinterest.es/onixmosaic



www.linkedin.com/company/onixmosaico



www.youtube.com/c/ONIXMOSAICO

