

BALTECO

BATHROOMS



ACRYLIC BATHTUBS

CONTENTS

| | |
|--------------------------------------|----|
| STANDARD-SETTING PRODUCT DEVELOPMENT | 4 |
| PANEL+ | 6 |
| ELECTRONIC CONTROL PANELS | 7 |
| COMPARISON OF MASSAGE SYSTEMS | 8 |
| | |
| ACRYLIC BATHS | |
| Forma 150, 160, 170, 180 | 10 |
| Forma 190 | 11 |
| Modul 150, 160, 170 | 12 |
| Modul 180 | 13 |
| Roma | 14 |
| Loop | 15 |
| Eclipse 150, 160, 170 | 16 |
| Idea 150, 160, 170 | 17 |
| Rhea 150, 160, 170 | 18 |
| Cali | 19 |
| Orion | 20 |
| Linea 140, 150 | 21 |
| Metro | 22 |
| Scala | 23 |
| Quadrum | 24 |
| Madonna | 25 |
| | |
| SHOWER WALLS FOR BATHS | 26 |
| ADDITIONAL EQUIPMENT | 28 |
| BATH MIXERS | 29 |
| TECHNICAL INFORMATION | 30 |

INSPIRED BY NORDIC NATURE

Balteco was established by a group of talented and ambitious engineers in 1990. Through continuous development of designer baths we have grown to become one of the leading producers of bathroom products in Northern Europe.

Our aspiration and everyday challenge is to design for our customers the best wellness products with original design, premium quality and innovative functional features.



STANDARD-SETTING PRODUCT DEVELOPMENT

EXCLUSIVENESS IN DETAILS

Only manufacturer in Northern Europe to offer chromed brass covers for under-water jets. Balteco does not use plastic covers that are remarkably less resistant for scratches.

AUTOFILL

An electronic bath fill-up assistance system allows for convenient and safe bath filling. Upon AutoFill activation the water flow from the bath mixer is automatically stopped when bath is full of water and system gives attention sound signal.

AMBILIGHT LED-LIGHTING

Custom designed chromotherapy lighting systems have been designed using the latest RGB LED technology delivering a wide variety of bright color tones or a slow color rotation program.

HIGH QUALITY SANITARY ACRYLICS

All Balteco acrylic baths are made of high quality sanitary acrylics, Altuglas (France)



- Durable
- Chemically resistant
- Non-allergenic
- Non-porous surface
- Easy to clean
- Low thermal conductivity
- Deep gloss
- Repairable

SILENT AIR BLOWERS

Airmassage system is equipped with efficient and silent pre-warmed air blowers (500 W)

POLYCORE™ REINFORCEMENT

Reinforced bath bottom structure triple layer technology makes the bottom extra strong

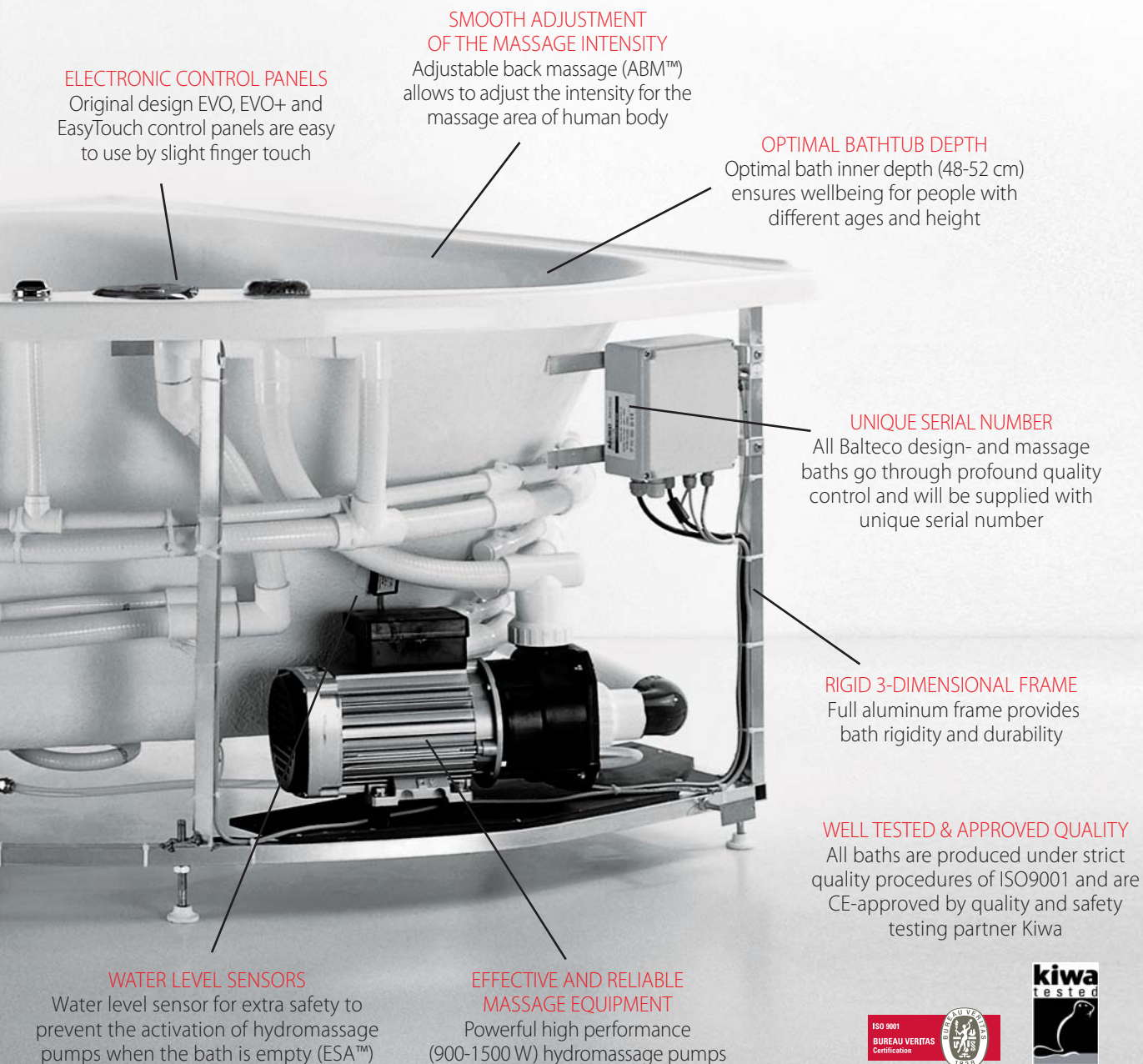


Balteco was the first company to introduce adjustable back-massage systems (ABM™) – nowadays it has become a standard amongst quality manufacturers. Still, Balteco hydromassage baths offer more through the unique adjustable back massage system. Custom designed water diverter placed on a bath rim allows for smooth manual adjustment of the backmassage intensity from full power of backmassage to no back area massage at all.



All Balteco hydromassage baths are equipped with a unique extra safety package ESA™ (Extra Safety Assurance). Package includes: a water level sensor preventing pumps from activating in an empty bath, a water inlet suction with high-volume suction cover and integrated safety valve, and double earthing.

Balteco's invaluable technical know-how is the result of decades of hard work. Our experience allows us to create some of the best product ranges on the market. With focus on research and development, we have set the standards for the whole industry with valuable functional innovations and outstanding technical solutions. Manifesting our advancements, these solutions – amongst many more – have been adopted by other manufacturers, too. We take it as a compliment.



ELECTRONIC CONTROL PANELS

Original design EVO, EVO+ and EasyTouch control panels are easy to use by slight finger touch

SMOOTH ADJUSTMENT OF THE MASSAGE INTENSITY

Adjustable back massage (ABM™) allows to adjust the intensity for the massage area of human body

OPTIMAL BATHTUB DEPTH

Optimal bath inner depth (48-52 cm) ensures wellbeing for people with different ages and height

UNIQUE SERIAL NUMBER

All Balteco design- and massage baths go through profound quality control and will be supplied with unique serial number

RIGID 3-DIMENSIONAL FRAME

Full aluminum frame provides bath rigidity and durability

WELL TESTED & APPROVED QUALITY

All baths are produced under strict quality procedures of ISO9001 and are CE-approved by quality and safety testing partner Kiwa

WATER LEVEL SENSORS

Water level sensor for extra safety to prevent the activation of hydromassage pumps when the bath is empty (ESA™)

EFFECTIVE AND RELIABLE MASSAGE EQUIPMENT

Powerful high performance (900-1500 W) hydromassage pumps



For larger interior size hydromassage baths Balteco offers in addition to a standard one pump system also a system with two powerful pumps DHP™ (Dual Hydromassage Power). DHP™ consists of two separately mounted massage systems with separates function and controls. One pump provides for an effective general hydromassage and the other one for the back and footmassage systems.



As valuable enhancement to increase the intensity of hydro-massage even further, Balteco offers to its massage baths electronic turbo massage systems ETM™ (Electronic Turbo Massage). Electronic function may be activated by an easy touch of a button and water-air mixture pressure from water jets is maximized.

PANEL+

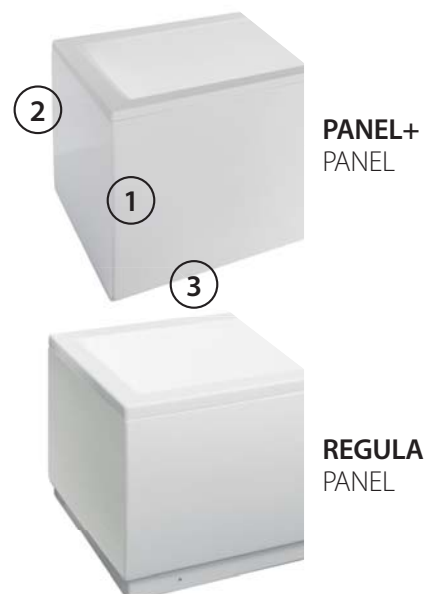
UNIQUE AND AESTHETIC LOOK



In order to provide aesthetic look, purity in details and fast installation PANEL+ solution offers higher value-add than any other producer on the market.

Advantages of PANEL+:

- ① L-type acrylic panels without visible connection
- ② Curved panel ends (no visible cutting lines)
- ③ Clean panels without screw caps – unique magnet fastening of panels



ELECTRONIC CONTROL PANELS

PLATINUM

Control panel for system: S7, S8, S10



EVO

Control panel for system: S3, S4



EASY TOUCH

Control panel for system: S11

STANDARD FUNCTIONS



Hydromassage side and foot jets



Hydromassage back jets extra power



Hydromassage side jets extra power



Hydromassage foot jets extra power



ADDITIONAL FUNCTIONS



Underwater AmbiLight




Electronic bath filling AutoFill

LEVEL

Control panel for system: S2



COMPARISON OF MASSAGE SYSTEMS

| | S1 BATHTUB | S2 AIR | S3 HYDRO | S4 COMBI |
|----------------------|---|---|---|---|
| Control panel | | | | |
| Standard equipment |  | <ul style="list-style-type: none"> Airmassage 200 W Micro jets Extra Safety Assurance | <ul style="list-style-type: none"> Hydromassage 900-1100 W Standard jets Extra Safety Assurance Adjustable Back Massage | <ul style="list-style-type: none"> Airmassage 500 W Hydromassage 900-1100 W Standard jets Extra Safety Assurance Adjustable Back Massage |
| Additional equipment | <ul style="list-style-type: none"> Chromotherapy AmbiLight AutoFill | <ul style="list-style-type: none"> Chromotherapy AmbiLight AutoFill | <ul style="list-style-type: none"> Chromotherapy AmbiLight AutoFill | <ul style="list-style-type: none"> Chromotherapy AmbiLight AutoFill Mechanical Turbo Massage |
| System description | <p>BATHTUB Bathtub made of high quality sanitary cast acrylic fitted on an aluminium frame with front panel(s) and a drain and overflow.</p> | <p>AIRMASSAGE BATH Airmassage is delivered through the micro jets mounted on the bottom of the bath.</p> | <p>HYDROMASSAGE BATH Hydromassage is delivered through the jets mounted on the walls of the bath, massage intensity is adjustable using air regulation buttons positioned on the bath rim. System includes Adjustable Backmassage System (ABM™) and footmassage.</p> | <p>HYDRO/AIRMASSAGE BATH Airmassage is delivered through the jets mounted on the bottom of the bath. Hydromassage is delivered through the jets mounted on the walls of the bath, massage intensity is adjustable using air regulation buttons positioned on the bath rim. System includes Adjustable Backmassage System (ABM™) and footmassage.</p> |

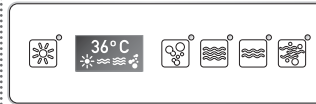
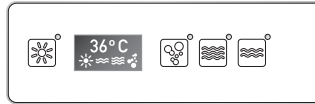
S7 COMBILUX

S8 COMBILUX PLUS

S10 EXCLUSIVE PLUS

S11 SLIMLINE HYDRO

Control panel



Standard equipment

- Airmassage
500 W
- Hydromassage
1500 W
- AmbiLight

- SlimLine jets

- Extra Safety Assurance
- Adjustable Back Massage

- Airmassage
500 W
- Hydromassage (2 pumps)
1500 W 1100 W
- AmbiLight

- SlimLine jets

- Extra Safety Assurance
- Adjustable Back Massage
- Dual Hydromassage Power

- Airmassage
500 W
- Hydromassage (2 pumps)
1500 W 1100 W
- Chromotherapy

- SlimLine jets

- Extra Safety Assurance
- Adjustable Back Massage
- Dual Hydromassage Power
- Electronic Turbo Massage

- Hydromassage
1500 W

- Therapy program

- SlimLine jets

- Extra Safety Assurance
- Adjustable Back Massage

Additional equipment

- Chromotherapy
- AutoFill
- Mechanische Turbomassage

- Chromotherapy
- AutoFill
- Mechanische Turbomassage

- AmbiLight
- AutoFill

- AmbiLight
- AutoFill

System description

HYDRO/AIRMASSAGE bath

Airmassage of electronically adjustable intensity is delivered through the jets mounted on the bottom of the bath. System includes exclusive ultra sleek SlimLine hydromassage jets. Hydromassage is delivered through the jets mounted on the walls of the bath, massage intensity is adjusted using air regulation buttons positioned on the bath rim. System includes Adjustable Backmassage System (ABM™) and footmassage.

HYDRO/AIRMASSAGE bath (2 pumps)

Airmassage of electronically adjustable intensity is delivered through the jets placed on the bottom of the bath. Hydromassage is delivered both through the jets mounted on the walls of the bath and those of the back massage systems. Two separate pumps may be autonomously controlled and massage intensity is adjustable using air regulation buttons positioned on the bath rim. System includes 2 Adjustable Backmassage Systems (ABM™), or backmassage and footmassage system.

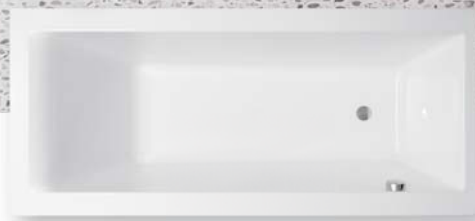
HYDRO/AIRMASSAGE bath (2 pumps)

Airmassage of electronically adjustable intensity is delivered through the jets mounted on the bottom of the bath. Hydromassage is delivered both through the jets mounted on the walls of the bath and those of the backmassage systems. Two separate pumps may be autonomously controlled and massage intensity is adjustable using air regulation buttons. Hydromassage jet flow intensity may be maximised by switching on Electronic Turbo Massage (ETM™). This system includes programmed underwater chromotherapy lighting system.

SLIMLINE HYDROMASSAGE bath

System includes exclusive ultra sleek SlimLine jets and accessories. Hydromassage is delivered through the jets mounted on the walls of the bath, massage intensity of different massage zones including back- and footmassage are adjustable by electronic control buttons positioned on the upper inside wall of the bath. System includes pre-programmed therapy program automatically rotating massage intensity of different massage areas.

FORMA 150; 160; 170; 180



PANEL+

DECORATIVE MDF BATH PANELS

Design Your bathroom in combination with matching Balteco furniture!



WHITE high gloss
PVC070

WHITE mat
PVC069

BLACK high gloss
PVC072

KIEL
PVC063

WHITE PORT
PVC056

BLACK PORT
PVC057

OAK
PVC071

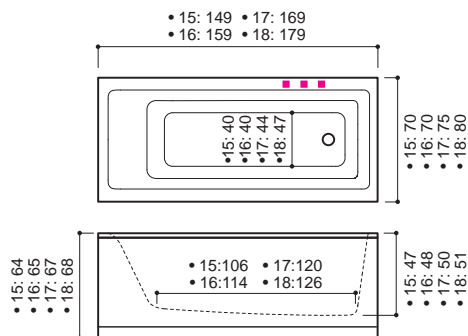
FORMA

150: 149x70x64 cm
• Capacity (max): 190 l

160: 159x70x65 cm
• Capacity (max): 210 l

170: 169x75x67 cm
• Capacity (max): 265 l

180: 179x80x68 cm
• Capacity (max): 300 l



- Forma baths may be equipped with a safety glass shower wall or shower cabin: page 26
- Panel options: acrylic or decorative MDF
- Technical details: page 30

| | 150 | 160 | 170 | 180 |
|-----------------------------|-----|-----|-----|-----|
| Bathtub (S1) | ✓ | ✓ | ✓ | ✓ |
| Air (S2) | ✓ | ✓ | ✓ | ✓ |
| Hydro (S3) | ✓ | ✓ | ✓ | ✓ |
| Combi (S4) | ✓ | ✓ | ✓ | ✓ |
| CombiLux (S7) | ✓ | ✓ | ✓ | ✓ |
| CombiLux Plus (S8) | - | - | - | - |
| Exclusive Plus (S10) | - | - | - | - |
| SlimLine Hydro (S11) | ✓ | ✓ | ✓ | ✓ |

FORMA 190



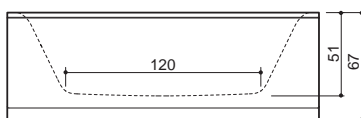
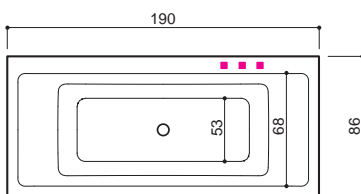
PANEL+

DECORATIVE MDF BATH PANELS
Design Your bathroom in combination with matching Balteco furniture!



FORMA 190

- 190x86x67 cm
- Capacity (max): 330 l



- Forma baths may be equipped with a safety glass shower wall: page 26
- Panel options: acrylic or decorative MDF
- Technical details: page 30

| Forma 190 | |
|----------------------|---|
| Bathtub (S1) | ✓ |
| Air (S2) | ✓ |
| Hydro (S3) | ✓ |
| Combi (S4) | ✓ |
| CombiLux (S7) | ✓ |
| CombiLux Plus (S8) | ✓ |
| Exclusive Plus (S10) | ✓ |
| SlimLine Hydro (S11) | ✓ |

MODUL 150; 160; 170



PANEL+

DECORATIVE MDF BATH PANELS
Design Your bathroom in combination with matching Balteco furniture!

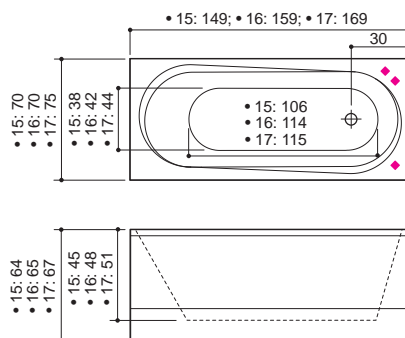


MODUL

150: 149x70x64 cm
• Capacity (max): 205 l

160: 159x70x65 cm
• Capacity (max): 230 l

170: 169x75x67 cm
• Capacity (max): 260 l



| | 150 | 160 | 170 |
|----------------------|-----|-----|-----|
| Bathtub (S1) | ✓ | ✓ | ✓ |
| Air (S2) | ✓ | ✓ | ✓ |
| Hydro (S3) | ✓ | ✓ | ✓ |
| Combi (S4) | ✓ | ✓ | ✓ |
| CombiLux (S7) | ✓ | ✓ | ✓ |
| CombiLux Plus (S8) | - | - | - |
| Exclusive Plus (S10) | - | - | - |
| SlimLine Hydro (S11) | ✓ | ✓ | ✓ |

- Modul baths may be equipped with a safety glass shower wall: page 26
- Panel options: acrylic or decorative MDF
- Technical details: page 31

MODUL 180



DECORATIVE MDF BATH PANELS

Design Your bathroom in combination with matching Balteco furniture!



WHITE high gloss PVC070

WHITE mat PVC069

BLACK high gloss PVC072

KIEL PVC063

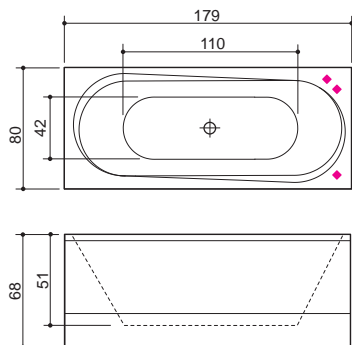
WHITE PORT PVC056

BLACK PORT PVC057

OAK PVC071

MODUL 180

- 179x80x68 cm
- Capacity (max): 250 l



- Modul baths may be equipped with a safety glass shower wall: page 26
- Panel options: acrylic or decorative MDF
- Technical details: page 31

Modul 180

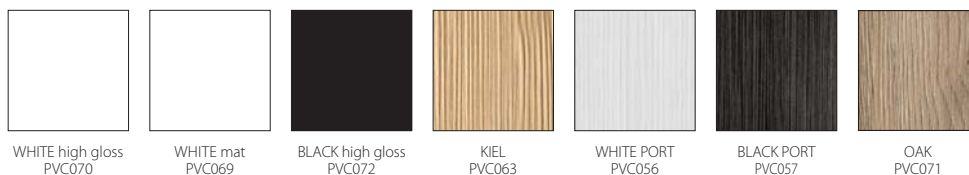
| | |
|----------------------|---|
| Bathtub (S1) | ✓ |
| Air (S2) | ✓ |
| Hydro (S3) | ✓ |
| Combi (S4) | ✓ |
| CombiLux (S7) | ✓ |
| CombiLux Plus (S8) | ✓ |
| Exclusive Plus (S10) | - |
| SlimLine Hydro (S11) | ✓ |

ROMA

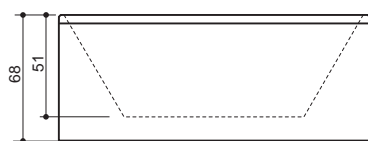
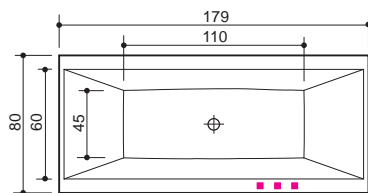


PANEL+

DECORATIVE MDF BATH PANELS
 Design Your bathroom in combination
 with matching Balteco furniture!



ROMA
 • 179x80x68 cm
 • Capacity (max): 235 l



- Roma bath may be equipped with a safety glass shower wall: page 26
- Panel options: acrylic or decorative MDF
- Technical details: page 32

| | Roma |
|----------------------|------|
| Bathtub (S1) | ✓ |
| Air (S2) | ✓ |
| Hydro (S3) | ✓ |
| Combi (S4) | ✓ |
| CombiLux (S7) | ✓ |
| CombiLux Plus (S8) | ✓ |
| Exclusive Plus (S10) | - |
| SlimLine Hydro (S11) | ✓ |

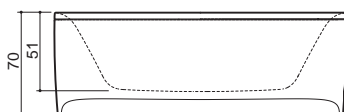
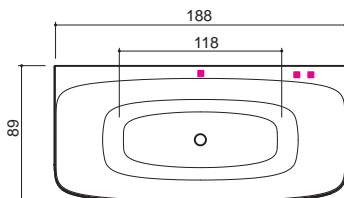
LOOP



PANEL+

LOOP

- 188x89x70 cm
- Capacity (max): 300 l



| | Loop |
|----------------------|------|
| Bathtub (S1) | ✓ |
| Air (S2) | ✓ |
| Hydro (S3) | ✓ |
| Combi (S4) | ✓ |
| CombiLux (S7) | ✓ |
| CombiLux Plus (S8) | ✓ |
| Exclusive Plus (S10) | ✓ |
| SlimLine Hydro (S11) | ✓ |

• Technical details: page 32

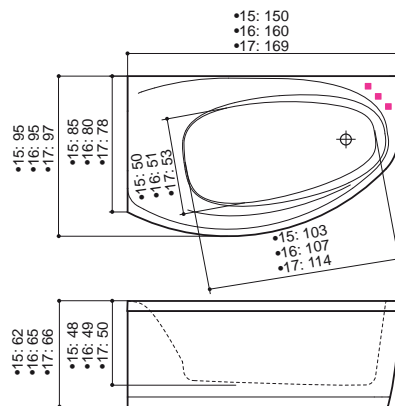
ECLIPSE 150; 160; 170



PANEL+

ECLIPSE

- 150: 150x95x62 cm
• Capacity (max): 220 l
- 160: 160x95x65 cm
• Capacity (max): 240 l
- 170: 169x97x66 cm
• Capacity (max): 280 l



| | 150 | 160 | 170 |
|----------------------|-----|-----|-----|
| Bathtub (S1) | ✓ | ✓ | ✓ |
| Air (S2) | ✓ | ✓ | ✓ |
| Hydro (S3) | ✓ | ✓ | ✓ |
| Combi (S4) | ✓ | ✓ | ✓ |
| CombiLux (S7) | ✓ | ✓ | ✓ |
| CombiLux Plus (S8) | - | - | - |
| Exclusive Plus (S10) | - | - | - |
| SlimLine Hydro (S11) | ✓ | ✓ | ✓ |

• Eclipse baths can be equipped with toned safety glass shower wall: page 26

• Technical details: page 33

IDEA 150; 160; 170



PANEL+

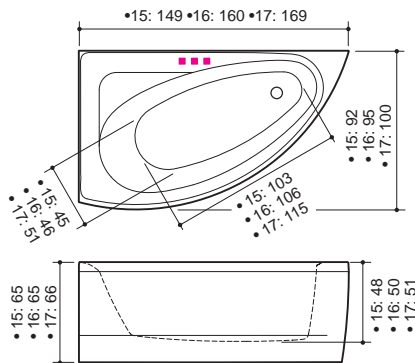


IDEA

150: 149x92x65 cm
• Capacity (max): 180 l

160: 160x95x65 cm
• Capacity (max): 205 l

170: 169x100x66 cm
• Capacity (max): 235 l



| | 150 | 160 | 170 |
|----------------------|-----|-----|-----|
| Bath tub (S1) | ✓ | ✓ | ✓ |
| Air (S2) | ✓ | ✓ | ✓ |
| Hydro (S3) | ✓ | ✓ | ✓ |
| Combi (S4) | ✓ | ✓ | ✓ |
| CombiLux (S7) | ✓ | ✓ | ✓ |
| CombiLux Plus (S8) | - | - | - |
| Exclusive Plus (S10) | - | - | - |
| SlimLine Hydro (S11) | ✓ | ✓ | ✓ |

• Eclipse baths can be equipped with toned safety glass shower wall: page 26

• Technical details: page 33

RHEA 150; 160; 170



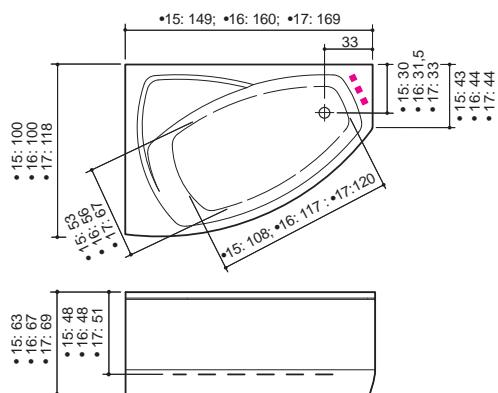
PANEL+

RHEA

150: 149x100x63 cm
• Capacity (max): 230 l

160: 160x100x67 cm
• Capacity (max): 300 l

170: 169x118x69 cm
• Capacity (max): 335 l



| | 150 | 160 | 170 |
|----------------------|-----|-----|-----|
| Bathtub (S1) | ✓ | ✓ | ✓ |
| Air (S2) | ✓ | ✓ | ✓ |
| Hydro (S3) | ✓ | ✓ | ✓ |
| Combi (S4) | ✓ | ✓ | ✓ |
| CombiLux (S7) | ✓ | ✓ | ✓ |
| CombiLux Plus (S8) | - | - | - |
| Exclusive Plus (S10) | - | - | - |
| SlimLine Hydro (S11) | ✓ | ✓ | ✓ |

• Technical details: page 34

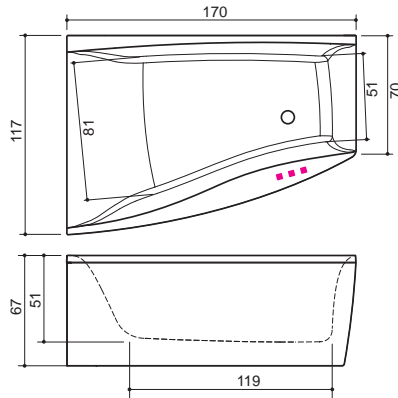
CALI



PANEL+



- CALI
- 170x117x67 cm
 - Capacity (max): 380 l



| | Cali |
|----------------------|------|
| Bathtub (S1) | ✓ |
| Air (S2) | - |
| Hydro (S3) | ✓ |
| Combi (S4) | ✓ |
| CombiLux (S7) | ✓ |
| CombiLux Plus (S8) | ✓ |
| Exclusive Plus (S10) | ✓ |
| SlimLine Hydro (S11) | ✓ |

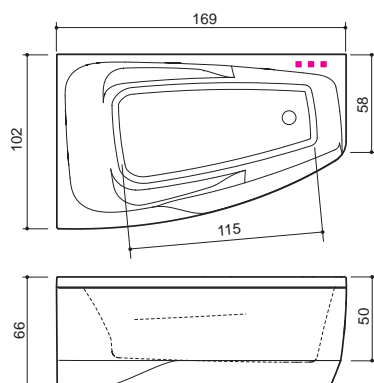
• Technical details: page 35

ORION



ORION

- 169x102x66 cm
- Capacity (max): 300 l



| | Orion |
|----------------------|-------|
| Bathtub (S1) | ✓ |
| Air (S2) | ✓ |
| Hydro (S3) | ✓ |
| Combi (S4) | ✓ |
| CombiLux (S7) | ✓ |
| CombiLux Plus (S8) | ✓ |
| Exclusive Plus (S10) | - |
| SlimLine Hydro (S11) | ✓ |

• Technical details: page 35

LINEA 140; 150

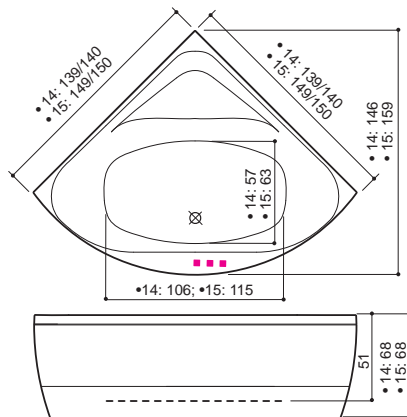


PANEL+

LINEA

140: 139x139x68 cm
• Capacity (max): 280 l

150: 149x149x68 cm
• Capacity (max): 330 l



| | 140 | 150 |
|----------------------|-----|-----|
| Bathtub (S1) | ✓ | ✓ |
| Air (S2) | ✓ | ✓ |
| Hydro (S3) | ✓ | ✓ |
| Combi (S4) | ✓ | ✓ |
| CombiLux (S7) | ✓ | ✓ |
| CombiLux Plus (S8) | ✓ | ✓ |
| Exclusive Plus (S10) | ✓ | ✓ |
| SlimLine Hydro (S11) | ✓ | ✓ |

• Linea baths can be equipped with toned safety glass shower wall: page 26

• Technical details: page 36

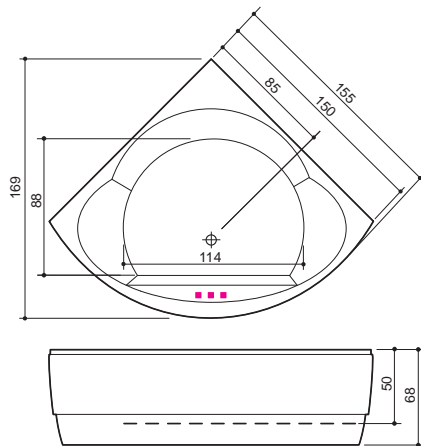
METRO



PANEL+

METRO

- 155x155x68 cm
- Capacity (max): 430 l



| | Metro |
|----------------------|-------|
| Bathtub (S1) | ✓ |
| Air (S2) | ✓ |
| Hydro (S3) | ✓ |
| Combi (S4) | ✓ |
| CombiLux (S7) | ✓ |
| CombiLux Plus (S8) | ✓ |
| Exclusive Plus (S10) | ✓ |
| SlimLine Hydro (S11) | - |

• Technical details: page 36

SCALA



DECORATIVE MDF BATH PANELS

Design Your bathroom in combination with matching Balteco furniture!



WHITE high gloss
PVC070



WHITE mat
PVC069



BLACK high gloss
PVC072



KIEL
PVC063



WHITE PORT
PVC056



BLACK PORT
PVC057

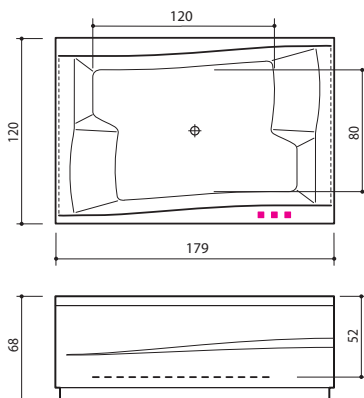


OAK
PVC071



SCALA

- 179x120x68 cm
- Capacity (max): 535 l



- Scala bath may be equipped with a safety glass shower wall: page 26
- Panel options: acrylic or decorative MDF
- Technical details: page 37

Scala

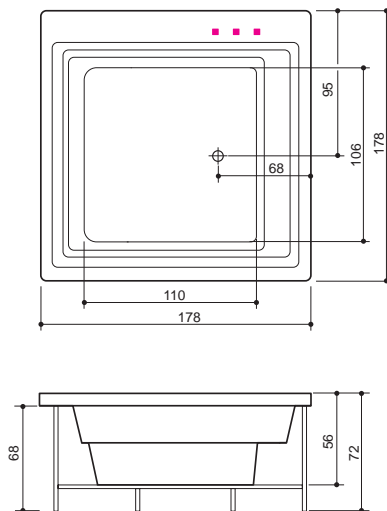
| | |
|-----------------------------|---|
| Bathtub (S1) | ✓ |
| Air (S2) | - |
| Hydro (S3) | ✓ |
| Combi (S4) | ✓ |
| CombiLux (S7) | ✓ |
| CombiLux Plus (S8) | ✓ |
| Exclusive Plus (S10) | - |
| SlimLine Hydro (S11) | - |

QUADRUM



QUADRUM

- 178x178x72 cm
- Capacity (max): 600 l



| | Quadrum |
|----------------------|---------|
| Bathtub (S1) | ✓ |
| Air (S2) | - |
| Hydro (S3) | - |
| Combi (S4) | - |
| CombiLux (S7) | - |
| CombiLux Plus (S8) | ✓ |
| Exclusive Plus (S10) | - |
| SlimLine Hydro (S11) | - |

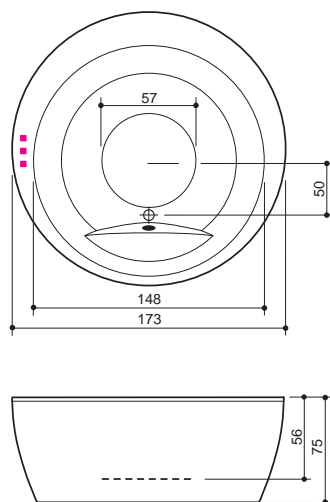
- Scala bath may be equipped with a safety glass shower wall: page 26
- Technical details: page 37

MADONNA



MADONNA

- Ø 173 x 75 cm
- Capacity (max): 475 l



| | Madonna |
|----------------------|---------|
| Bathtub (S1) | ✓ |
| Air (S2) | - |
| Hydro (S3) | - |
| Combi (S4) | - |
| CombiLux (S7) | ✓ |
| CombiLux Plus (S8) | ✓ |
| Exclusive Plus (S10) | ✓ |
| SlimLine Hydro (S11) | - |

• Technical details: page 38

SHOWER WALLS FOR BATHS



LINEA



IDEA

SHOWER WALL FOR LINEA 140, 150

Shower wall consists of immovable glass wall and closing sliding glass door. Shower wall is produced from 6 mm toned grey safety glass (T2) and aluminium profiles.

Height: 155 cm; Minimum installation height: 225 cm.

CODE: Linea 140: LI4/VES
Linea 150: LI5/VES

SHOWER WALL FOR IDEA 150, 160, 170

Shower wall consists of immovable glass wall and closing sliding glass door. Shower wall is produced from 6 mm toned grey safety glass (T2) and aluminium profiles. The layout of the the shower wall is defined by the bath front panels.

Height: 155 cm; Minimum installation height: 225 cm

CODE: Idea 150: ID5/VES
Idea 160: ID6/VES
Idea 170: ID7/VES



ECLIPSE



ECLIPSE

SHOWER WALL FOR ECLIPSE 150, 160, 170

Shower wall consists of a shower wall with sliding door and a shower panel with integrated shower mixer, hand shower, spout for bath water filling and rain shower. Also, shower panel is equipped with support handle assisting user entering and exiting bath, and waterproof mirror. Shower wall is offered with 6 mm toned grey safety glass (T2) and aluminium profiles. The layout (left or right) of the the shower wall is defined by the bath front panels.

Height: 155 cm; Minimum installation height: 225 cm.

CODE: Eclipse 150: ECLS/VES
Eclipse 160: ECL6/VES
Eclipse 170: ECL7/VES

SHOWER WALL FOR BATH FORMA 170

Shower wall is produced from 6 mm transparent (T1) or toned grey (T2) safety glass and aluminium profiles. The shower wall consists of immovable side/front glass wall and closing sliding glass door. The layout of the the shower wall is defined by the bath front panels.

Height: 155 cm; Minimum installation height: 225 cm

CODE: FO7/VES/A1/T1 (transparent glass, corner)
FO7/VES/A2/T1 (transparent glass, niche)
FO7/VES/B1/T2 (toned grey glass, corner)
FO7/VES/B2/T2 (toned grey glass, niche)



FORMA 170



FORMA 170

SUITABLE FOR ACRYLIC BATHS MODELS: FORMA, MODUL, ROMA, SCALA, QUADRUM

| | |
|------------|---|
| VS1/Tx | Pivot shower wall (85x152 cm) from 6 mm safety glass and anodized aluminium profiles |
| VS2L/Tx | Folding pivot shower wall (85x152 cm, left), 6 mm safety glass and anodized aluminium profiles |
| VS2R/Tx | Folding pivot shower wall (85x152 cm, right), 6 mm safety glass and anodized aluminium profiles |
| VS3/Tx/PrA | Fixed shower wall (80x148 cm), 6 mm safety glass and anodized aluminium profiles* |
| VS3/Tx/PrG | Fixed shower wall (80x148 cm), 6 mm safety glass and glossy aluminium profiles* |
| VS3/Tx/PrM | Fixed shower wall (80x148 cm), 6 mm safety glass and black aluminium profiles* |
| VS4/Tx/PrA | Fixed shower wall (80x148 cm), 8 mm safety glass and anodized aluminium profiles* |
| VS4/Tx/PrG | Fixed shower wall (80x148 cm), 8 mm safety glass and glossy aluminium profiles* |
| VS4/Tx/PrM | Fixed shower wall (80x148 cm), 8 mm safety glass and black aluminium profiles* |



T1 (clear glass)

T2 (toned glass)

| | |
|----------------|---|
| VS5/Tx/PrA | FRAMELINE fixed shower wall (80x148 cm), 6 mm safety glass and anodized aluminium perimeter profiles* |
| VS5/Tx/PrM | FRAMELINE fixed shower wall (80x148 cm), 6 mm safety glass and black aluminium perimeter profiles* |
| VS5/X+Y/Tx/PrA | FRAMELINE fixed shower wall made-to-measure (length X=30...90 cm, height Y=120...200 cm) 6 mm safety glass and anodized alum. perimeter profiles* |
| VS5/X+Y/Tx/PrM | FRAMELINE fixed shower wall made-to-measure (length X=30...90 cm, height Y=120...200 cm) 6 mm safety glass and black alum. perimeter profiles* |

* - Upper support bar to be ordered additionally!

Tx - Variable parameter in the code: T1 (clear glass), T2 (toned glass)

Support bar for VS3 and VS4:

| | |
|--------|---|
| KTL90A | Universal cut-to-measure support bar for 6/8 mm glass, usable in cross or diagonal layout, max length 90 cm, anodized aluminium |
| KTL90M | Universal cut-to-measure support bar for 6/8 mm glass, usable in cross or diagonal layout, max length 90 cm, black aluminium |

Support bar and clamp for VS5:

| | |
|---------|---|
| KTL90RA | Universal cut-to-measure support bar for framed shower wall, usable in cross or diagonal layout, max length 90 cm, anodized aluminium |
| KTL90RM | Universal cut-to-measure support bar for framed shower wall, usable in cross or diagonal layout, max length 90 cm, black aluminium |
| LT26A | Ceiling clamp for FRAMELINE shower wall, anodized aluminium |
| LT26M | Ceiling clamp for FRAMELINE shower wall, black aluminium |



PIVOT SHOWER WALL VS1



FOLDING PIVOT SHOWER WALL VS2



FIXED SHOWER WALL VS3



FIXED SHOWER WALL VS4



FIXED SHOWER WALL WITH SUPPORT BAR VS5 (R1)



FIXED SHOWER WALL WITH CEILING CLAMP VS5 (R1)

ADDITIONAL EQUIPMENT



CHROMOTHERAPY LIGHTING
Code: KLA*4
Available for systems S1-S8.
Included in S10.



AMBILIGHT
Code: AL
Available for systems S1-S4, S10-S11.
Included in S7-S8.



OVERFLOW/DRAIN (WHITE)
Code: V
Available for systems S1-S2.



OVERFLOW/DRAIN (BLACK)
Code: VM
Available for systems S1-S2.



AUTOFILL
Code: AF
An electronic bath fill-up assistance system allows for convenient and safe bath filling. When bath is full of water, system also gives a sound signal.
Available for any system/bath.



OVERFLOW FILLING
Code: OS
Chrome finish.
Bath filling through the overflow.
Alternative option for mixers without spout.
Available for any system/bath.



OVERFLOW FILLING
Code: OSM
Black finish.
Bath filling through the overflow.
Alternative option for mixers without spout.
Available for any system/bath.



SUPERSOFT PILLOW
Code: MSV
Soft bath pillow with suction cups.

MECHANICAL TURBOMASSAGE
Code: W
Turbulent jet flow effect is created through the mechanical direction of both pressurized air and water into the hydromassage jets.
Available for systems S4, S7, S8.

WATER HEATER
Code: H1,5 or H3
Heater can be individually turned on and off while the massage pump is working.
Available for any system, except S1-S2..



1



2

1. Cleaner for acrylic surfaces, 750 ml (code: PA)
2. Desinfection cleaner for hydromassage system PipeCleaner, 250 ml (code: PD)

BATH MIXERS



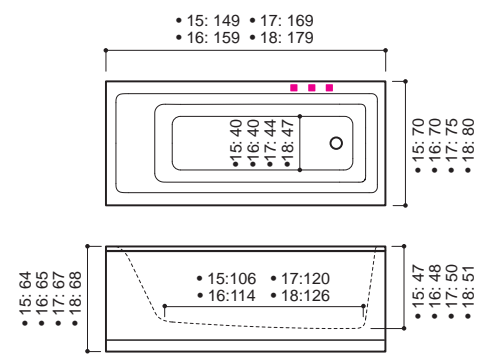
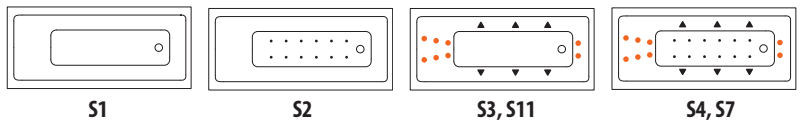
- | | |
|---|-------|
| 1. Cristina two-component bath mixer (Chrome) | (C1) |
| 2. Cristina two-component bath mixer (Black) | (C1M) |
| 3. Cristina three-component bath mixer (Chrome) | (C2) |
| 4. Cristina three-component bath mixer (Black) | (C2M) |
| 5. Alpi three-component bath mixer (Chrome) | (A3) |
| 6. Alpi three-component bath mixer (Black) | (A3M) |
| 7. Alpi three-component bath mixer (White) | (A3V) |
| 8. Alpi floor-mounted bath mixer (Chrome) | (A4) |
| 9. Alpi floor-mounted bath mixer (Black) | (A4M) |
| 10. Alpi floor-mounted bath mixer (White) | (A4V) |
| 11. Damixa Clover three-component bath mixer (Chrome) | (DC1) |

Forma 150 (code: F05) / **160** (code: F06) / **170** (code: F07) / **180** (code: F08)

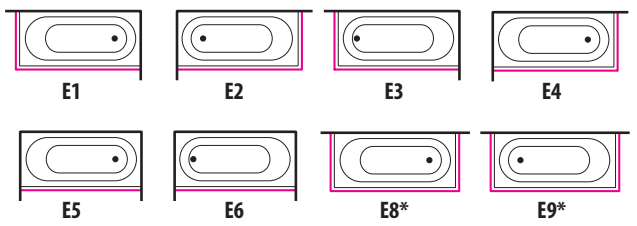
149x70x64cm / 190x159x70x65cm / 210x169x75x67cm / 265x179x80x68cm / 300l

Sample code: **F05 / S1 / E1 / C2 / ...**

| 1. SYSTEMS | S1 | S2 | S3 | S4 | S7 | S8 | S10 | S11 |
|-------------------|----|----|-----|-----|-----|----|-----|-----|
| HYDROMASSAGE JETS | - | - | 6+8 | 6+8 | 6+8 | - | - | 6+8 |
| AIRMASSAGE JETS | - | 12 | - | 12 | 12 | - | - | - |
| PUMPS | - | - | 1 | 1 | 1 | - | - | 1 |
| BLOWERS | - | 1 | - | 1 | 1 | - | - | - |

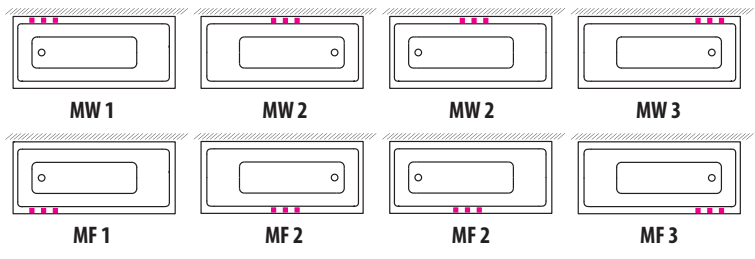


2. FRONT PANEL PLACEMENT



E12 without panels
* - Available only for MDF decorative panel

3. BATH MIXER POSITION

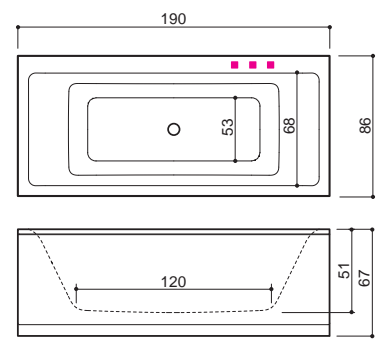
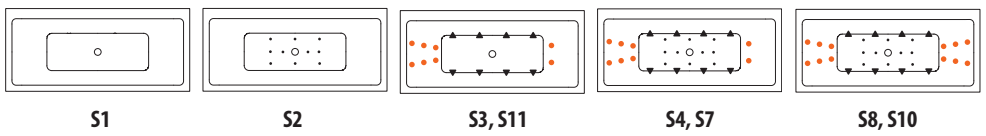


| 5. ACCESSORIES | 6. BATH MIXER | 7. SHOWER WALL |
|----------------|---------------|----------------------|
| page 28 | page 29 | page 26 |
| AL | C1 | VS1 |
| KLA*4 | C1M | VS2L |
| V | C2 | VS2R |
| WM | C2M | VS3 |
| AF | A3 | VS4 |
| OS | A3M | VS5 |
| OSM | A3V | F07/VES/A1 * |
| MSV | A4 | F07/VES/A2 * |
| W | A4M | F07/VES/B1 * |
| H1,5 | A4V | F07/VES/B2 * |
| H3 | DC1 | * only for Forma 170 |

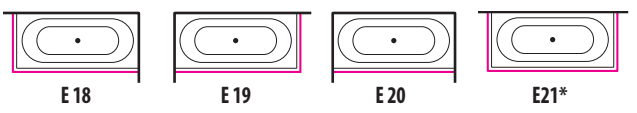
Forma 190 (F09) 190 x 86 x 67 cm / 330l

Sample code: **F09 / S6 / E19 / DC1 / MSV*2**

| 1. SYSTEMS | S1 | S2 | S3 | S4 | S7 | S8 | S10 | S11 |
|-------------------|----|----|-----|-----|-----|------|------|-----|
| HYDROMASSAGE JETS | - | - | 8+8 | 8+8 | 8+8 | 8+12 | 8+12 | 8+8 |
| AIRMASSAGE JETS | - | 12 | - | 12 | 12 | 12 | 12 | - |
| PUMPS | - | - | 1 | 12 | 2 | 2 | 1 | - |
| BLOWERS | - | 1 | - | 1 | 1 | 1 | 2 | - |

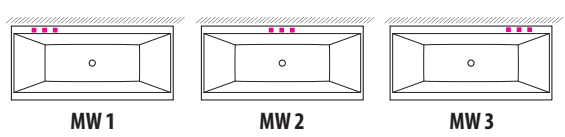


2. FRONT PANEL PLACEMENT

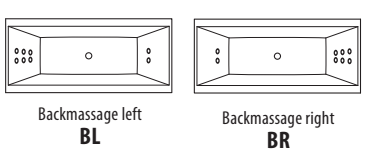


E24 without panels
* - Available only for MDF decorative panel

3. BATH MIXER POSITION



4. ONE-PUMP SYSTEM BACKMASSAGE POSITION



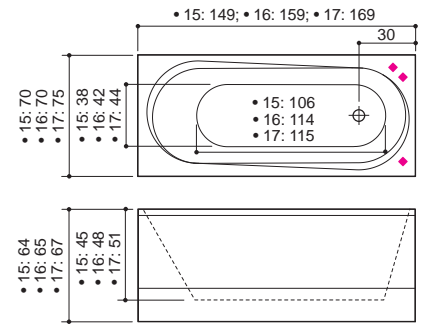
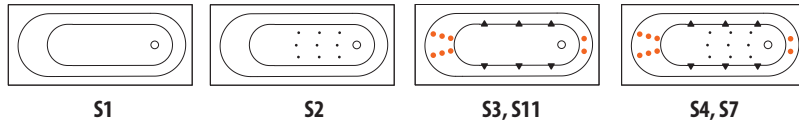
| 5. ACCESSORIES | 6. BATH MIXER | 7. SHOWER WALL |
|----------------|---------------|----------------|
| page 28 | page 29 | page 26 |
| AL | C1 | VS1 |
| KLA*4 | C1M | VS2L |
| V | C2 | VS2R |
| WM | C2M | VS3 |
| AF | A3 | VS4 |
| OS | A3M | VS5 |
| OSM | A3V | |
| MSV | A4 | |
| W | A4M | |
| H1,5 | A4V | |
| H3 | DC1 | |

Modul 150 (code: M05) / 160 (code: M06) / 170 (code: M07)

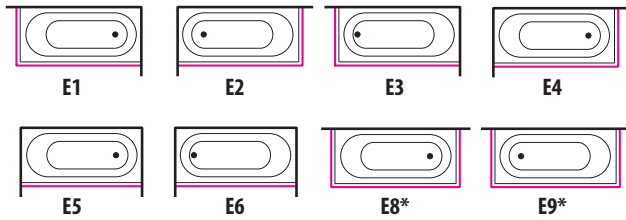
149x70x64cm / 205|_159x70x65cm / 230|_169x75x67cm / 260|

Sample code: **M07 / S3 / E2 / C1 / OS**

| 1. SYSTEMS | S1 | S2 | S3 | S4 | S7 | S8 | S10 | S11 |
|-------------------|----|----|-----|-----|-----|----|-----|-----|
| HYDROMASSAGE JETS | - | - | 6+8 | 6+8 | 6+8 | - | - | 6+8 |
| AIRMASSAGE JETS | - | 9 | - | 9 | - | - | - | - |
| PUMPS | - | - | 1 | 1 | - | - | - | 1 |
| BLOWERS | - | 1 | - | 1 | - | - | - | - |



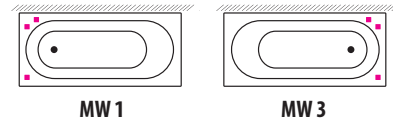
2. FRONT PANEL PLACEMENT



E12 without panels

* - Available only for MDF decorative panel

3. BATH MIXER POSITION

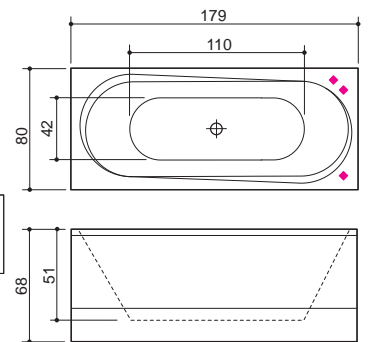
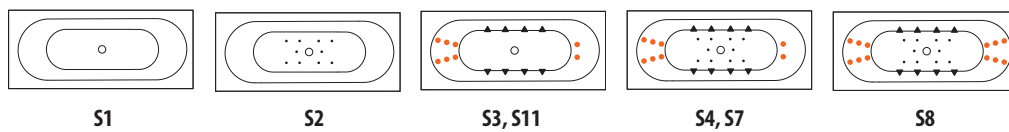


| 5. ACCESSORIES | 6. BATH MIXER | 7. SHOWER WALL |
|----------------|---------------|----------------|
| page 28 | page 29 | page 26 |
| AL | C1 | VS1 |
| KLA*4 | C1M | VS2L |
| V | C2 | VS2R |
| WM | C2M | VS3 |
| AF | A3 | VS4 |
| OS | A3M | VS5 |
| OSM | A3V | |
| MSV | A4 | |
| W | A4M | |
| H1,5 | A4V | |
| H3 | DC1 | |

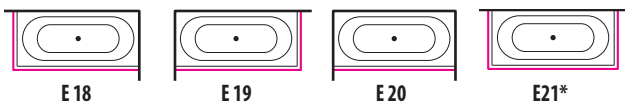
Modul 180 (M08) 179 x 80 x 68 cm / 250 |

Sample code: **M08 / S8 / E20 / C1Z1 / MSV*2**

| 1. SYSTEMS | S1 | S2 | S3 | S4 | S7 | S8 | S10 | S11 |
|-------------------|----|----|-----|-----|-----|------|-----|-----|
| HYDROMASSAGE JETS | - | - | 8+8 | 8+8 | 8+8 | 8+12 | - | 8+8 |
| AIRMASSAGE JETS | - | 10 | - | 10 | 10 | 10 | - | - |
| PUMPS | - | - | 1 | 1 | 1 | 2 | - | 1 |
| BLOWERS | - | 1 | - | 1 | 1 | 1 | - | - |



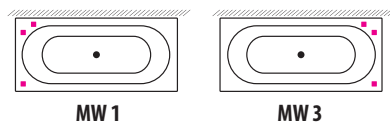
2. FRONT PANEL PLACEMENT



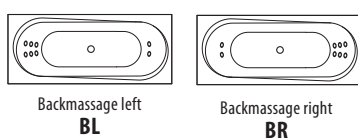
E24 without panels

* - Available only for MDF decorative panel

3. BATH MIXER POSITION



4. ONE-PUMP SYSTEM BACKMASSAGE POSITION



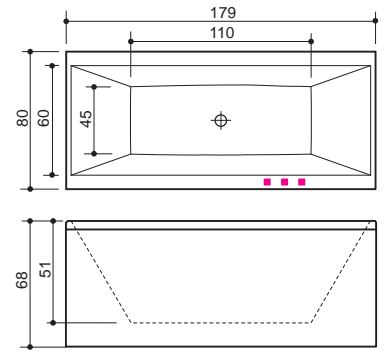
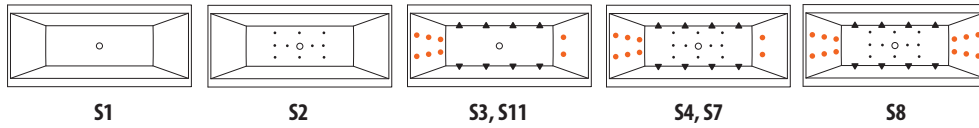
PS! PVC foiled MDF decorative panel finishing options: see page 90

| 5. ACCESSORIES | 6. BATH MIXER | 7. SHOWER WALL |
|----------------|---------------|----------------|
| page 28 | page 29 | page 26 |
| AL | C1 | VS1 |
| KLA*4 | C1M | VS2L |
| V | C2 | VS2R |
| WM | C2M | VS3 |
| AF | A3 | VS4 |
| OS | A3M | VS5 |
| OSM | A3V | |
| MSV | A4 | |
| W | A4M | |
| H1,5 | A4V | |
| H3 | DC1 | |

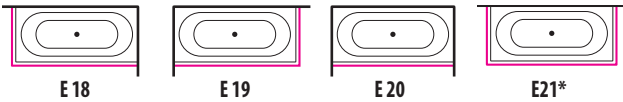
Roma (ROM) 179 x 80 x 68 cm / 235 l

Sample code: ROM / S4 / E19 / C2 / MSV*2

| 1. SYSTEMS | S1 | S2 | S3 | S4 | S7 | S8 | S10 | S11 |
|-------------------|----|----|-----|-----|-----|------|-----|-----|
| HYDROMASSAGE JETS | - | - | 8+8 | 8+8 | 8+8 | 8+12 | - | 8+8 |
| AIRMASSAGE JETS | - | 10 | - | 10 | 10 | 10 | - | - |
| PUMPS | - | - | 1 | 1 | 1 | 2 | - | 1 |
| BLOWERS | - | 1 | - | 1 | 1 | 1 | - | - |

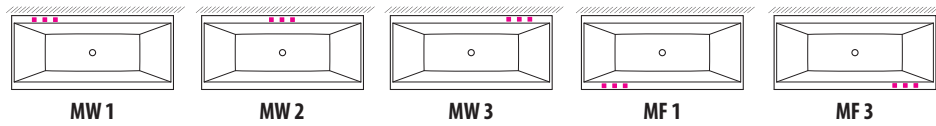


2. FRONT PANEL PLACEMENT

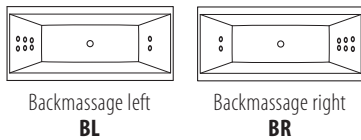


E24 without panels
* - Available only for MDF decorative panel

3. BATH MIXER POSITION



4. ONE-PUMP SYSTEM BACKMASSAGE POSITION



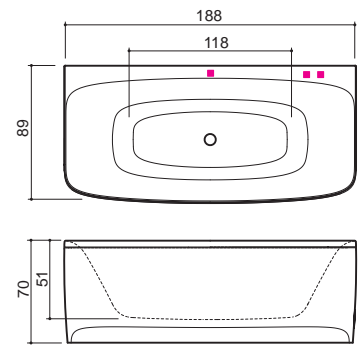
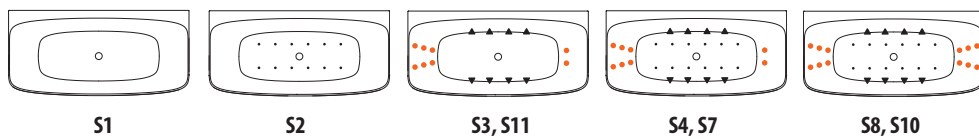
| 5. ACCESSORIES | 6. BATH MIXER | 7. SHOWER WALL |
|----------------|---------------|----------------|
| page 28 | page 29 | page 26 |
| AL | C1 | VS1 |
| KLA*4 | C1M | VS2L |
| V | C2 | VS2R |
| WM | C2M | VS3 |
| AF | A3 | VS4 |
| OS | A3M | VS5 |
| OSM | A3V | |
| MSV | A4 | |
| W | A4M | |
| H1,5 | A4V | |
| H3 | DC1 | |

Loop (LOO) 188 x 89 x 70 cm / 300 l

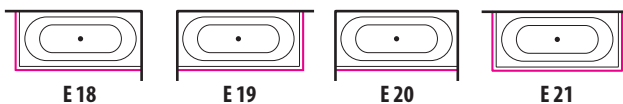
Sample code: LOO / S11 / E18 / C1Z1 / OS / AF

Explanation: bath system front panel mixer overflow filling autofill

| 1. SYSTEMS | S1 | S2 | S3 | S4 | S7 | S8 | S10 | S11 |
|-------------------|----|----|-----|-----|-----|------|------|-----|
| HYDROMASSAGE JETS | - | - | 8+8 | 8+8 | 8+8 | 8+12 | 8+12 | 8+8 |
| AIRMASSAGE JETS | - | 12 | - | 12 | 12 | 12 | 12 | - |
| PUMPS | - | - | 1 | 1 | 1 | 2 | 2 | 1 |
| BLOWERS | - | 1 | - | 1 | 1 | 1 | 2 | - |

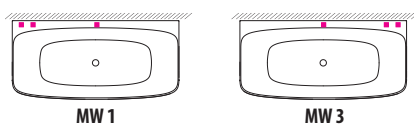


2. FRONT PANEL PLACEMENT

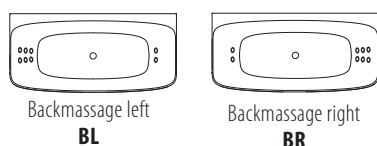


E24 without panels

3. BATH MIXER POSITION



4. ONE-PUMP SYSTEM BACKMASSAGE POSITION

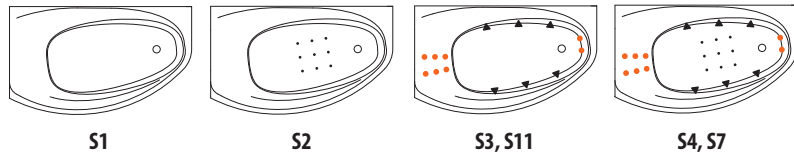


| 5. ACCESSORIES | 6. BATH MIXER |
|----------------|---------------|
| page 28 | page 29 |
| AL | C1 |
| KLA*4 | C1M |
| V | C2 |
| WM | C2M |
| AF | A3 |
| OS | A3M |
| OSM | A3V |
| MSV | A4 |
| W | A4M |
| H1,5 | A4V |
| H3 | DC1 |

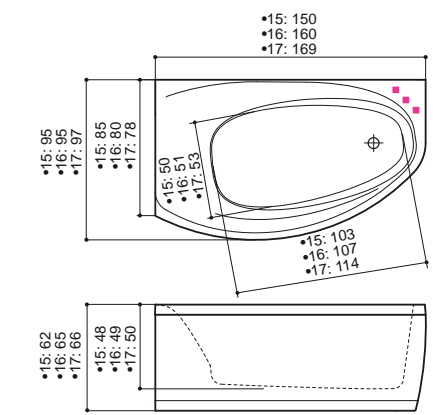
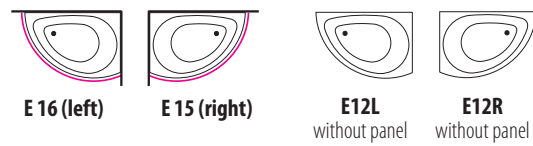
Eclipse 150 (code: E51 left / E52-right) 150x95x62cm / 220l
Eclipse 160 (code: E61-left / E62-right) 160x95x65cm / 240l
Eclipse 170 (code: E71-left / E72-right) 169x97x66cm / 280l

Sample code: **E52 / S1 / E15 / DC**

| 1. SYSTEMS | S1 | S2 | S3 | S4 | S7 | S8 | S10 | S11 |
|-------------------|----|----|-----|-----|-----|----|-----|-----|
| HYDROMASSAGE JETS | - | - | 6+8 | 6+8 | 6+8 | - | - | 6+8 |
| AIRMASSAGE JETS | - | 9 | - | 9 | 9 | - | - | - |
| PUMPS | - | - | 1 | 1 | 1 | - | - | 1 |
| BLOWERS | - | 1 | - | 1 | 1 | - | - | - |



2. FRONT PANEL PLACEMENT



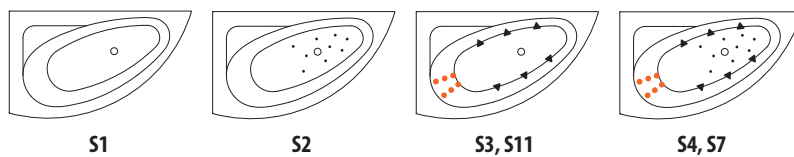
5. ACCESSORIES page 28
6. BATH MIXER page 29
7. SHOWER WALL page 26

| | | |
|-------|-----|----------|
| AL | C1 | ECL5/VES |
| KLA*4 | C1M | ECL6/VES |
| V | C2 | ECL7/VES |
| WM | C2M | |
| AF | A3 | |
| OS | A3M | |
| OSM | A3V | |
| MSV | A4 | |
| W | A4M | |
| H1,5 | A4V | |
| H3 | DC1 | |

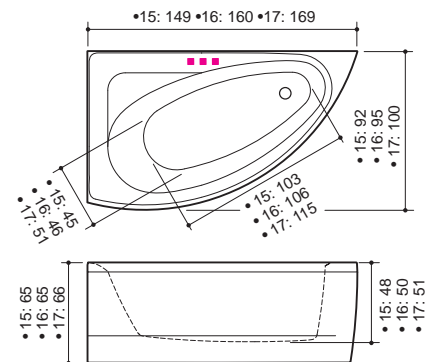
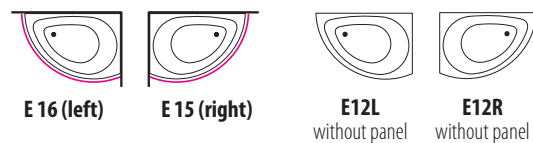
Idea 150 (code: I51 left / I52-right) 149x92x65cm / 180l
Idea 160 (code: I61-left / I62-right) 160x95x65cm / 205l
Idea 170 (code: I71-left / I72-right) 169x100x66cm / 235l

Sample code: **I72 / S1 / E15 / C1Z1/ OS / MSV**

| 1. SYSTEMS | S1 | S2 | S3 | S4 | S7 | S8 | S10 | S11 |
|-------------------|----|----|-----|-----|-----|----|-----|-----|
| HYDROMASSAGE JETS | - | - | 6+6 | 6+6 | 6+6 | - | - | 6+6 |
| AIRMASSAGE JETS | - | 9 | - | 9 | 9 | - | - | - |
| PUMPS | - | - | 1 | 1 | 1 | - | - | 1 |
| BLOWERS | - | 1 | - | 1 | 1 | - | - | - |



2. FRONT PANEL PLACEMENT



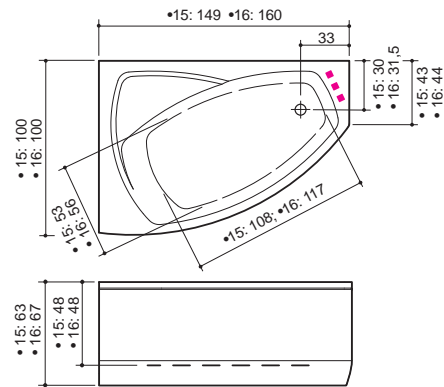
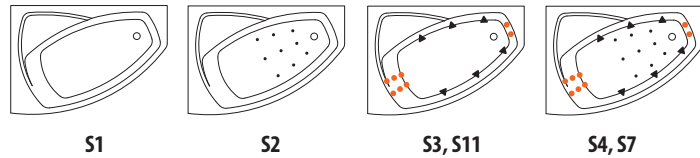
5. ACCESSORIES page 28
6. BATH MIXER page 29
7. SHOWER WALL page 26

| | | |
|-------|-----|---------|
| AL | C1 | ID5/VES |
| KLA*4 | C1M | ID6/VES |
| V | C2 | ID7/VES |
| WM | C2M | |
| AF | A3 | |
| OS | A3M | |
| OSM | A3V | |
| MSV | A4 | |
| W | A4M | |
| H1,5 | A4V | |
| H3 | DC1 | |

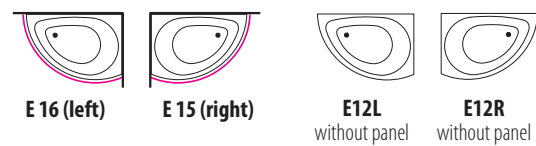
Rhea 150 (code: R51 left / R52-right) 149x100x63cm / 230l
Rhea 160 (code: R61-left / R62-right) 160x100x67cm / 300l

Sample code: **R52 / S3 / E15 / DC1 / OS**

| 1. SYSTEMS | S1 | S2 | S3 | S4 | S7 | S8 | S10 | S11 |
|-------------------|----|----|-----|-----|-----|----|-----|-----|
| HYDROMASSAGE JETS | - | - | 6+8 | 6+8 | 6+8 | - | - | 6+8 |
| AIRMASSAGE JETS | - | 9 | - | 9 | 9 | - | - | - |
| PUMPS | - | - | 1 | 1 | 1 | - | - | 1 |
| BLOWERS | - | 1 | - | 1 | 1 | - | - | - |



2. FRONT PANEL PLACEMENT



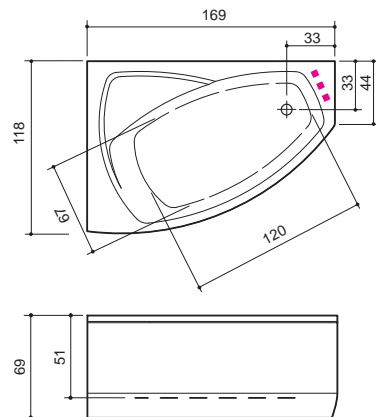
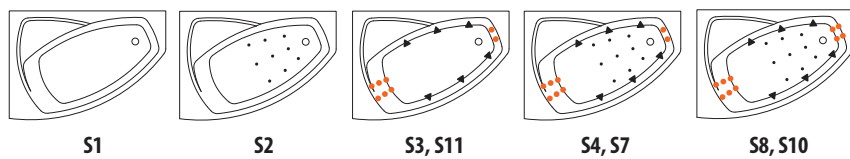
5. ACCESSORIES page 28
 6. BATH MIXER page 29

| | |
|-------|-----|
| AL | C1 |
| KLA*4 | C1M |
| V | C2 |
| WM | C2M |
| AF | A3 |
| OS | A3M |
| OSM | A3V |
| MSV | A4 |
| W | A4M |
| H1,5 | A4V |
| H3 | DC1 |

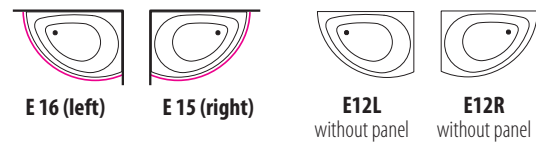
Rhea 17 (code: RHV left / RHP-right) 169 x 118 x 69 cm / 335 l

Sample code: **RHV / S6 / E16 / DC1 / MSV**

| 1. SYSTEMS | S1 | S2 | S3 | S4 | S7 | S8 | S10 | S11 |
|-------------------|----|----|-----|-----|-----|------|------|-----|
| HYDROMASSAGE JETS | - | - | 6+8 | 6+8 | 6+8 | 6+10 | 6+10 | 6+8 |
| AIRMASSAGE JETS | - | 9 | - | 9 | 9 | 9 | 9 | - |
| PUMPS | - | - | 1 | 1 | 1 | 2 | 2 | 1 |
| BLOWERS | - | 1 | - | 1 | 1 | 1 | 2 | - |



2. FRONT PANEL PLACEMENT



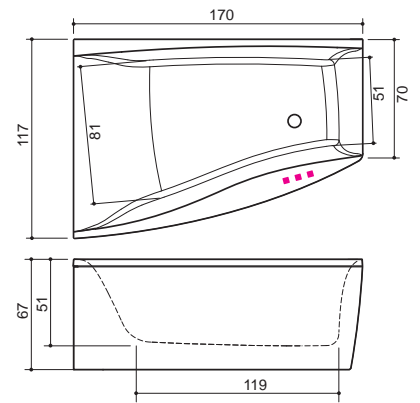
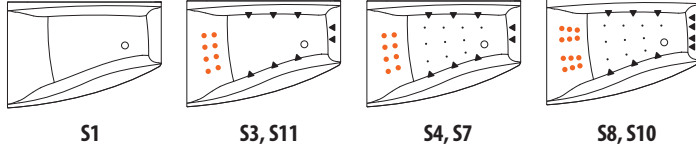
5. ACCESSORIES page 28
 6. BATH MIXER page 29

| | |
|-------|-----|
| AL | C1 |
| KLA*4 | C1M |
| V | C2 |
| WM | C2M |
| AF | A3 |
| OS | A3M |
| OSM | A3V |
| MSV | A4 |
| W | A4M |
| H1,5 | A4V |
| H3 | DC1 |

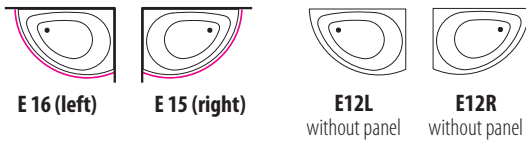
Cali (code: CLV-left / CLP-right) 170 x 117 x 67 cm / 380 l

Sample code: **CLP / S10 / E15 / DC1 / MSV**

| 1. SYSTEMS | S1 | S2 | S3 | S4 | S7 | S8 | S10 | S11 |
|-------------------|----|----|-----|-----|-----|-------|-------|-----|
| HYDROMASSAGE JETS | - | - | 8+8 | 8+8 | 8+8 | 10+12 | 10+12 | 8+8 |
| AIRMASSAGE JETS | - | - | - | 10 | 10 | 10 | 10 | - |
| PUMPS | - | - | 1 | 1 | 1 | 2 | 2 | 1 |
| BLOWERS | - | - | - | 1 | 1 | 1 | 2 | - |



2. FRONT PANEL PLACEMENT



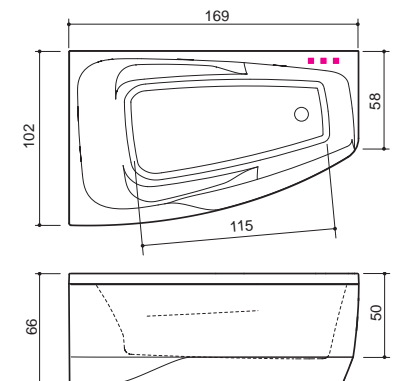
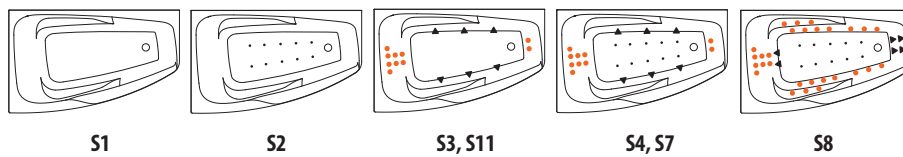
5. ACCESSORIES page 28 **6. BATH MIXER** page 29

| | |
|-------|-----|
| AL | C1 |
| KLA*4 | C1M |
| V | C2 |
| WM | C2M |
| AF | A3 |
| OS | A3M |
| OSM | A3V |
| MSV | A4 |
| W | A4M |
| H1,5 | A4V |
| H3 | DC1 |

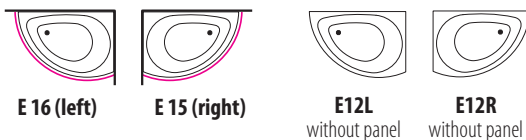
Orion (code: O71-left / O72-right) 169 x 102 x 66 cm / 300 l

Sample code: **O72 / S6 / E15 / DC1 / MSV**

| 1. SYSTEMS | S1 | S2 | S3 | S4 | S7 | S8 | S10 | S11 |
|-------------------|----|----|------|------|------|-------|-----|------|
| HYDROMASSAGE JETS | - | - | 6+10 | 6+10 | 6+10 | 14+20 | - | 6+10 |
| AIRMASSAGE JETS | - | 10 | - | 10 | 10 | 10 | - | - |
| PUMPS | - | - | 1 | 1 | 1 | 2 | - | 1 |
| BLOWERS | - | 1 | - | 1 | 1 | 1 | - | - |



2. FRONT PANEL PLACEMENT



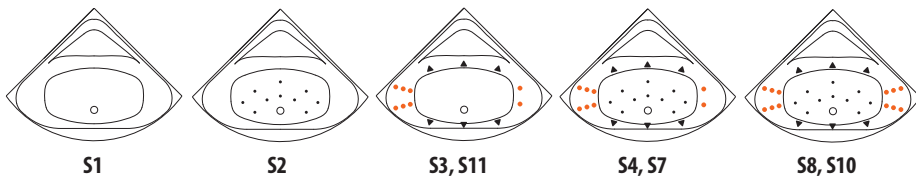
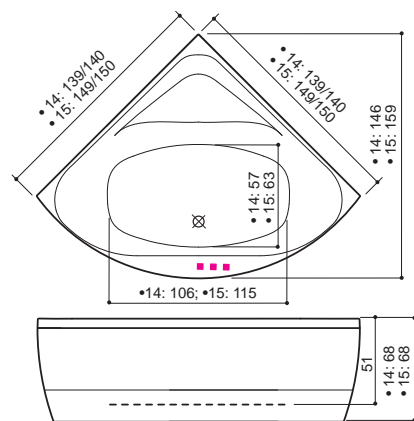
5. ACCESSORIES page 28 **6. BATH MIXER** page 29

| | |
|-------|-----|
| AL | C1 |
| KLA*4 | C1M |
| V | C2 |
| WM | C2M |
| AF | A3 |
| OS | A3M |
| OSM | A3V |
| MSV | A4 |
| W | A4M |
| H1,5 | A4V |
| H3 | DC1 |

Linea 140 (code: LI4) 139x139x68cm / 280l
Linea 150 (code: LI5) 149x149x68cm / 330l

Sample code: **LI4 / S6 / E12 / DC1 / MSV**

| 1. SYSTEMS | S1 | S2 | S3 | S4 | S7 | S8 | S10 | S11 |
|-------------------|----|----|-----|-----|-----|------|------|-----|
| HYDROMASSAGE JETS | - | - | 6+8 | 6+8 | 6+8 | 6+12 | 6+12 | 6+8 |
| AIRMASSAGE JETS | - | 10 | - | 10 | 10 | 10 | 10 | - |
| PUMPS | - | - | 1 | 1 | 1 | 2 | 2 | 1 |
| BLOWERS | - | 1 | - | 1 | 1 | 1 | 2 | - |



2. FRONT PANEL PLACEMENT



4. ONE-PUMP SYSTEM BACKMASSAGE POSITION

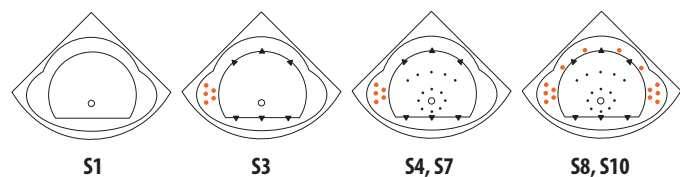
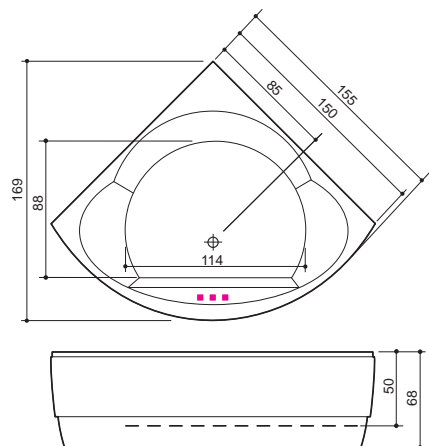


| 5. ACCESSORIES | 6. BATH MIXER | 7. SHOWER WALL |
|----------------|---------------|----------------|
| page 28 | page 29 | page 26 |
| AL | C1 | LI4/VES |
| KLA*4 | C1M | LI5/VES |
| V | C2 | |
| WM | C2M | |
| AF | A3 | |
| OS | A3M | |
| OSM | A3V | |
| MSV | A4 | |
| W | A4M | |
| H1,5 | A4V | |
| H3 | DC1 | |

Metro (code: MET) 155 x 155 x 68 cm / 430 l

Sample code: **MET / S8 / E17 / DC1 / MSV**

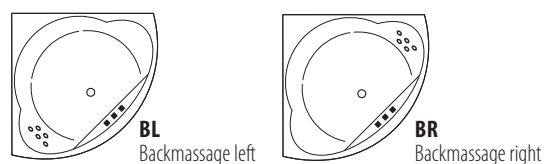
| 1. SYSTEMS | S1 | S2 | S3 | S4 | S7 | S8 | S10 | S11 |
|-------------------|----|----|-----|-----|-----|-------|-------|-----|
| HYDROMASSAGE JETS | - | - | 6+5 | 6+5 | 6+5 | 10+10 | 10+10 | - |
| AIRMASSAGE JETS | - | - | - | 13 | 13 | 13 | 13 | - |
| PUMPS | - | - | 1 | 1 | 1 | 2 | 2 | - |
| BLOWERS | - | - | - | 1 | 1 | 1 | 2 | - |



2. FRONT PANEL PLACEMENT



4. ONE-PUMP SYSTEM BACKMASSAGE POSITION

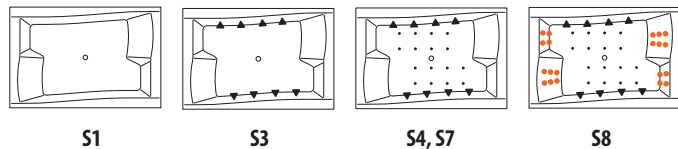


| 5. ACCESSORIES | 6. BATH MIXER |
|----------------|---------------|
| page 28 | page 29 |
| AL | C1 |
| KLA*4 | C1M |
| V | C2 |
| WM | C2M |
| AF | A3 |
| OS | A3M |
| OSM | A3V |
| MSV | A4 |
| W | A4M |
| H1,5 | A4V |
| H3 | DC1 |

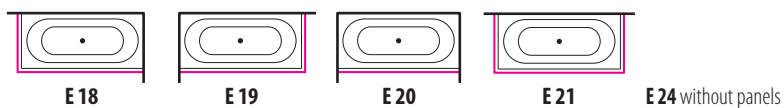
Scala (code: SCA) 179 x 120 x 68 cm / 535 l

Sample code: SCA / S9 / E21 / DC1 / MSV*2

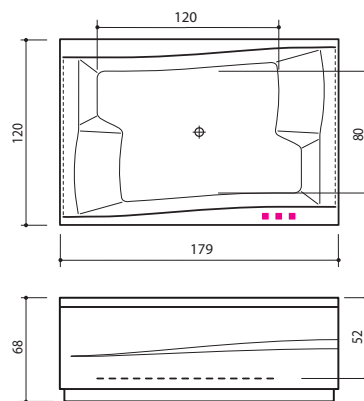
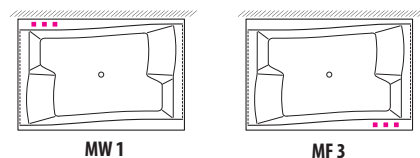
| 1. SYSTEMS | S1 | S2 | S3 | S4 | S7 | S8 | S10 | S11 |
|-------------------|----|----|----|----|----|------|-----|-----|
| HYDROMASSAGE JETS | - | - | 8 | 8 | 8 | 8+20 | - | - |
| AIRMASSAGE JETS | - | - | - | 16 | 16 | 16 | - | - |
| PUMPS | - | - | 1 | 1 | 1 | 2 | - | - |
| BLOWERS | - | - | - | 1 | 1 | 1 | - | - |



2. FRONT PANEL PLACEMENT



3. BATH MIXER POSITION

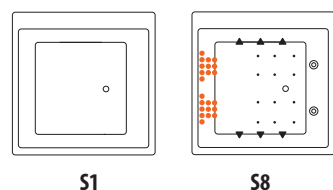


| 5. ACCESSORIES | 6. BATH MIXER | 7. SHOWER WALL |
|----------------|---------------|----------------|
| page 28 | page 29 | page 26 |
| AL | C1 | VS1 |
| KLA*4 | C1M | VS2L |
| V | C2 | VS2R |
| WM | C2M | VS3 |
| AF | A3 | VS4 |
| OS | A3M | VS5 |
| OSM | A3V | |
| MSV | A4 | |
| W | A4M | |
| H1,5 | A4V | |
| H3 | DC1 | |

Quadrum (code: QDR) 178 x 178 x 72 cm / 600 l

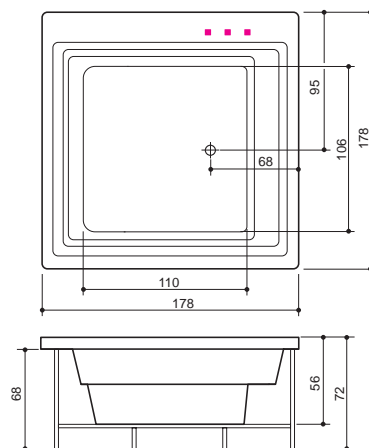
Sample code: QDR / S6 / DC1 /

| 1. SYSTEMS | S1 | S2 | S3 | S4 | S7 | S8 | S10 | S11 |
|-------------------|----|----|----|----|----|--------|-----|-----|
| HYDROMASSAGE JETS | - | - | - | - | - | 6+22+2 | - | - |
| AIRMASSAGE JETS | - | - | - | - | - | 12 | - | - |
| PUMPS | - | - | - | - | - | 2 | - | - |
| BLOWERS | - | - | - | - | - | 1 | - | - |



PS!

- This bath is offered without panels, only for built-in installation.
- High flow jet Grand is a part of standard equipment.

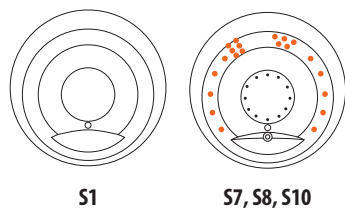


| 5. ACCESSORIES | 6. BATH MIXER | 7. SHOWER WALL |
|----------------|---------------|----------------|
| page 28 | page 29 | page 26 |
| AL | C1 | VS1 |
| KLA*4 | C1M | VS2L |
| V | C2 | VS2R |
| WM | C2M | VS3 |
| AF | A3 | VS4 |
| OS | A3M | VS5 |
| OSM | A3V | |
| MSV | A4 | |
| W | A4M | |
| H1,5 | A4V | |
| H3 | DC1 | |

Madonna (code: MXL) Ø 173 x 75 cm / 475 l

Sample code: **MXL / S10 / E24 / DC1 / MSV*2**

| 1. SYSTEMS | S1 | S2 | S3 | S4 | S7 | S8 | S10 | S11 |
|-------------------|----|----|----|----|-------|-------|-------|-----|
| HYDROMASSAGE JETS | - | - | - | - | 12+12 | 12+12 | 12+12 | - |
| AIRMASSAGE JETS | - | - | - | - | 12 | 12 | 12 | - |
| PUMPS | - | - | - | - | 1 | 2 | 2 | - |
| BLOWERS | - | - | - | - | 1 | 1 | 2 | - |

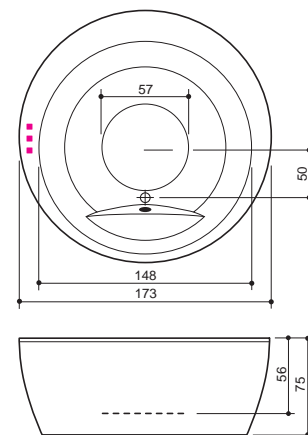


2. FRONT PANEL PLACEMENT



PS!

- High flow jet Grand is a part of standard equipment.



5. ACCESSORIES

page 28

6. BATH MIXER

page 29

| | |
|-------|-----|
| AL | C1 |
| KLA*4 | C1M |
| V | C2 |
| WM | C2M |
| AF | A3 |
| OS | A3M |
| OSM | A3V |
| MSV | A4 |
| W | A4M |
| H1,5 | A4V |
| H3 | DC1 |



Version 06/2021

BALTECO
BATHROOMS

www.balteco.com